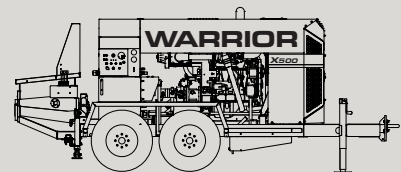


---

# Parts List

WARRIOR X600  
SHOTCRETE PUMP



---

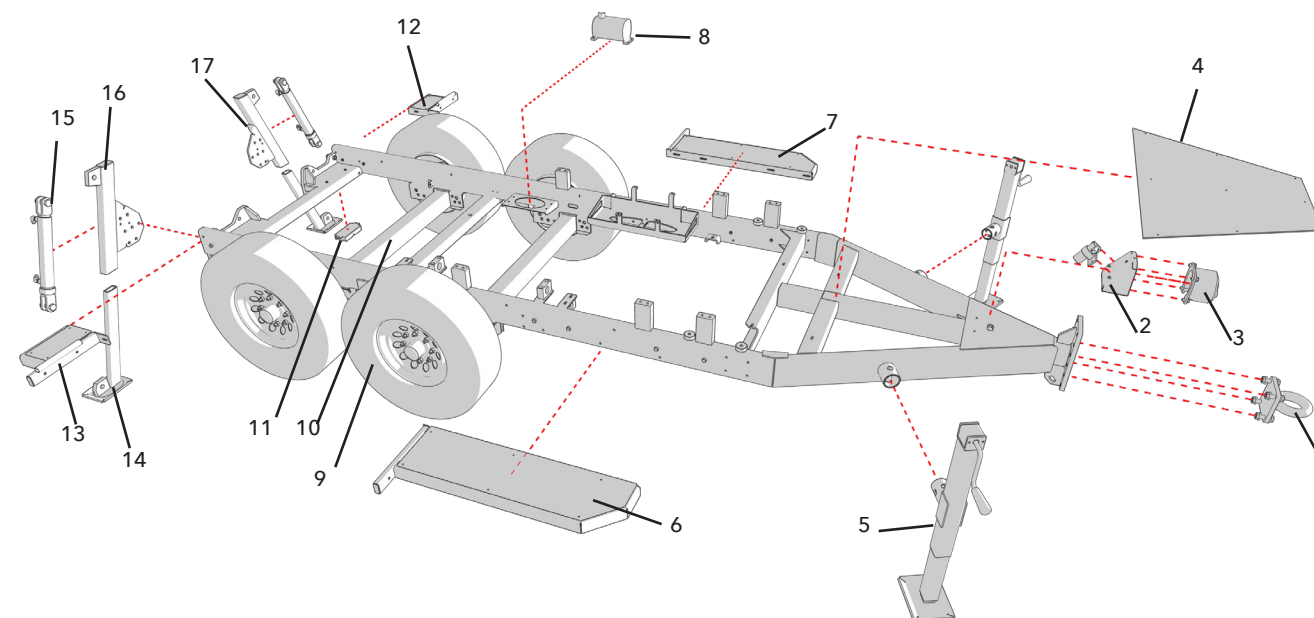
# TABLE OF CONTENTS

4	FRAME
5	FLATPACK
6	Hopper
12	Remixer
14	Hydraulic Cylinder
17	Material Cylinder
18	Cup Adapter
19	Water Box
20	FUEL TANK
22	ENGINE & RADIATOR
24	Engine
26	Radiator
28	HYDRAULIC TANK
30	Cycle Block
31	Control Block
32	BODY
34	CONTROL BOX
36	TUBES/LINES/MISCELLANEOUS

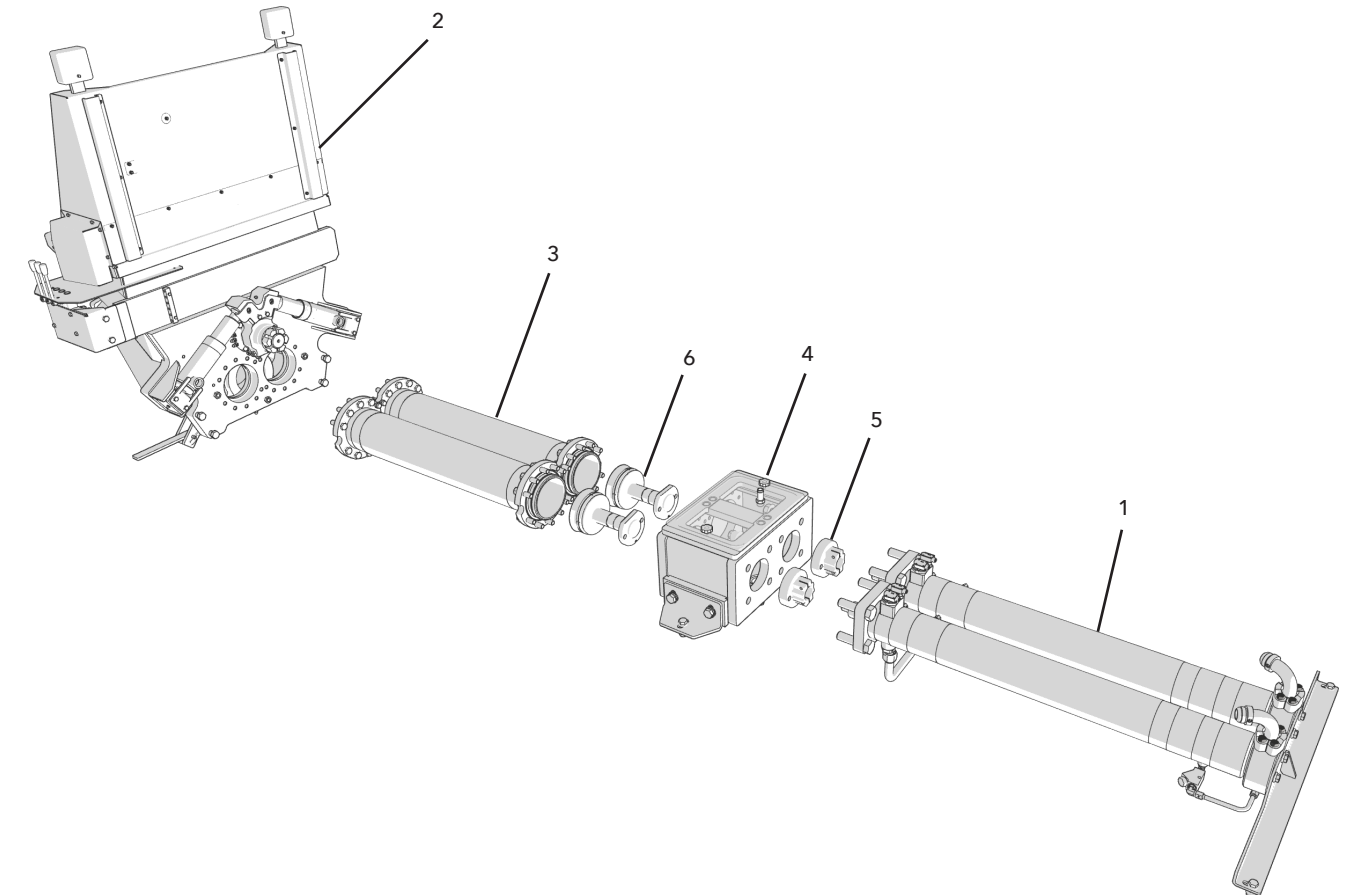
## FRAME

### 81200A X600 FRAME ASSEMBLY

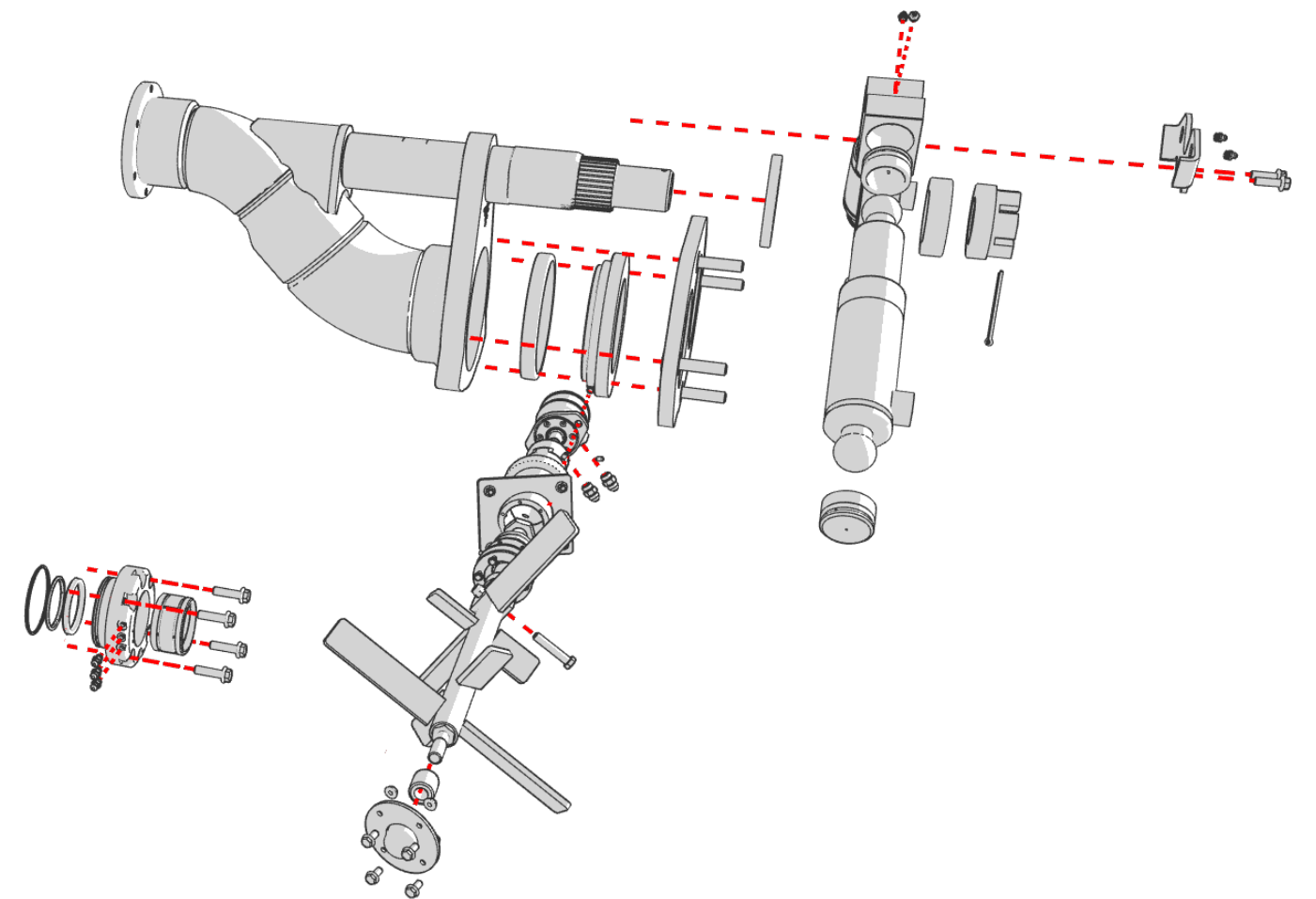
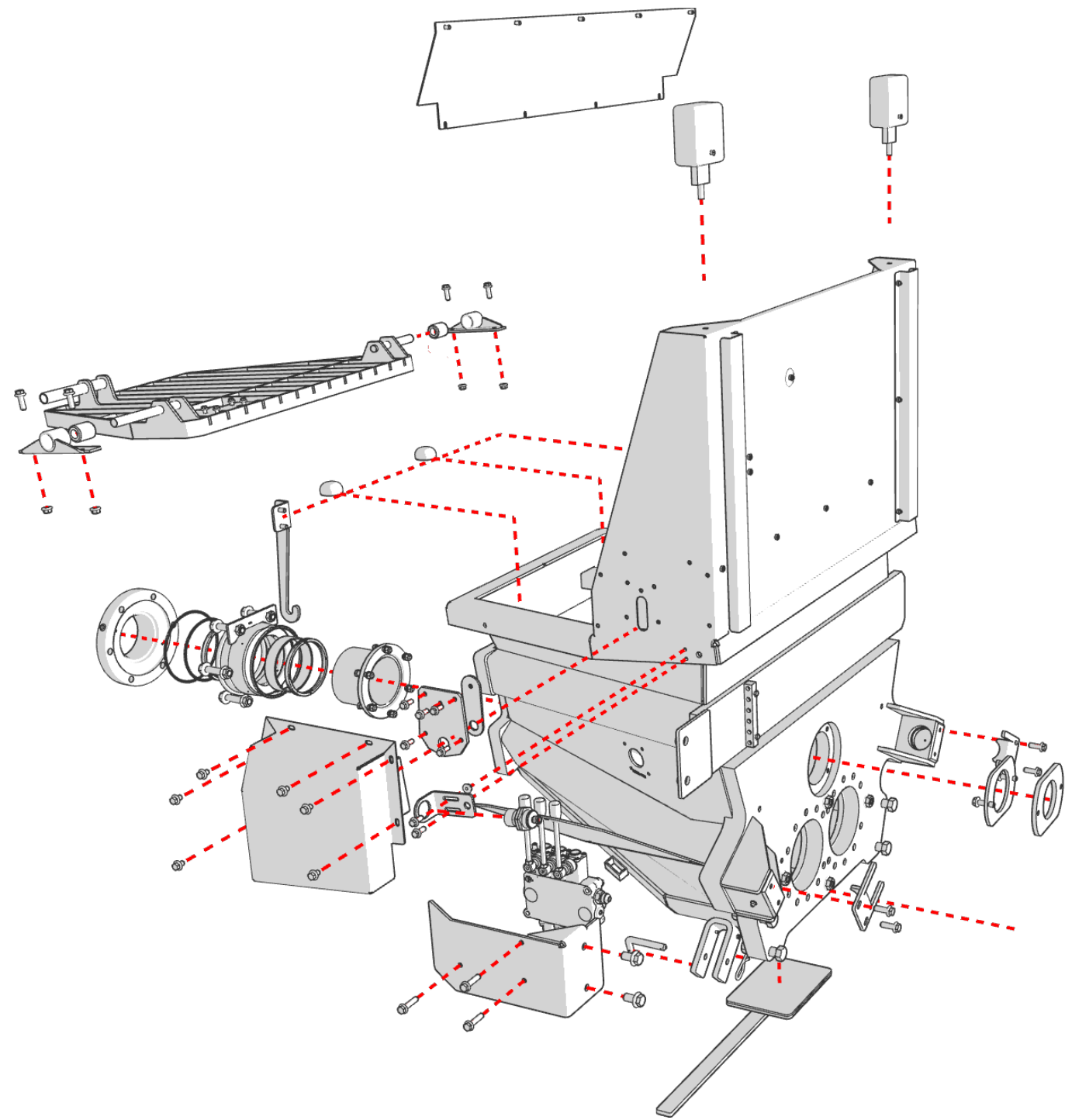
LINE	PART NUMBER	DESCRIPTION
1	81307	TOW RING
2	81218A	THERMAL OVERLOAD BOX MOUNT
3	81161	7-WAY TRAILER PLUG SOCKET
4	81207	TONGUE DIAMOND TREAD PLATE
5	81055	JACK STAND
6	81210	RH RUNNING BOARD
7	81211	LH RUNNING BOARD
8	81301	ELECTRIC/HYDRAULIC BRAKE ACTUATOR
9	81114.01	TIRE/WHEEL ASSEMBLY (235/80R16)
10	81060.8K	8,000 LB AXLE
11	81159	7-WAY JUNCTION BOX
12	81050.02	REAR LH STEP
13	81050.01	REAR RH STEP
14	81046	REAR JACK STAND LEG
15	83770	REAR OUTRIGGER ASSEMBLY
16	81015A-RDS	RH SIDE OUTRIGGER MOUNT
17	81015A-LDS	LD SIDE OUTRIGGER MOUNT



## FLATPACK

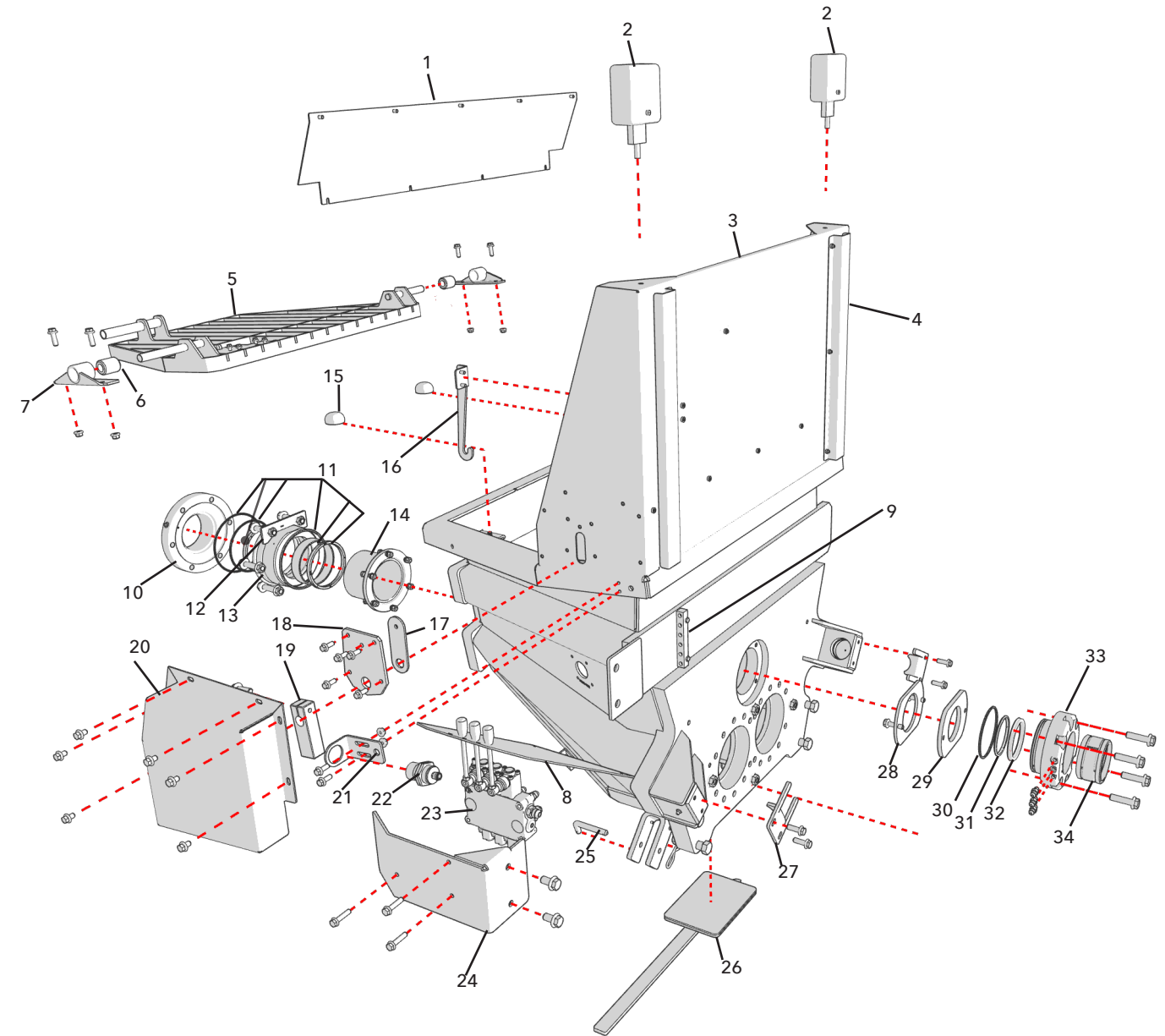


LINE	PART NUMBER	DESCRIPTION
1	83200A	HYDRAULIC CYLINDER ASSEMBLY
2	85100A-DS	DUAL SHIFT HOPPER ASSEMBLY
3	85400A	MATERIAL CYLINDER ASSEMBLY
4	85600A	WATER BOX ASSEMBLY
5	85720	ROD ADAPTER
6	85773A	CUP ADAPTER ASSEMBLY



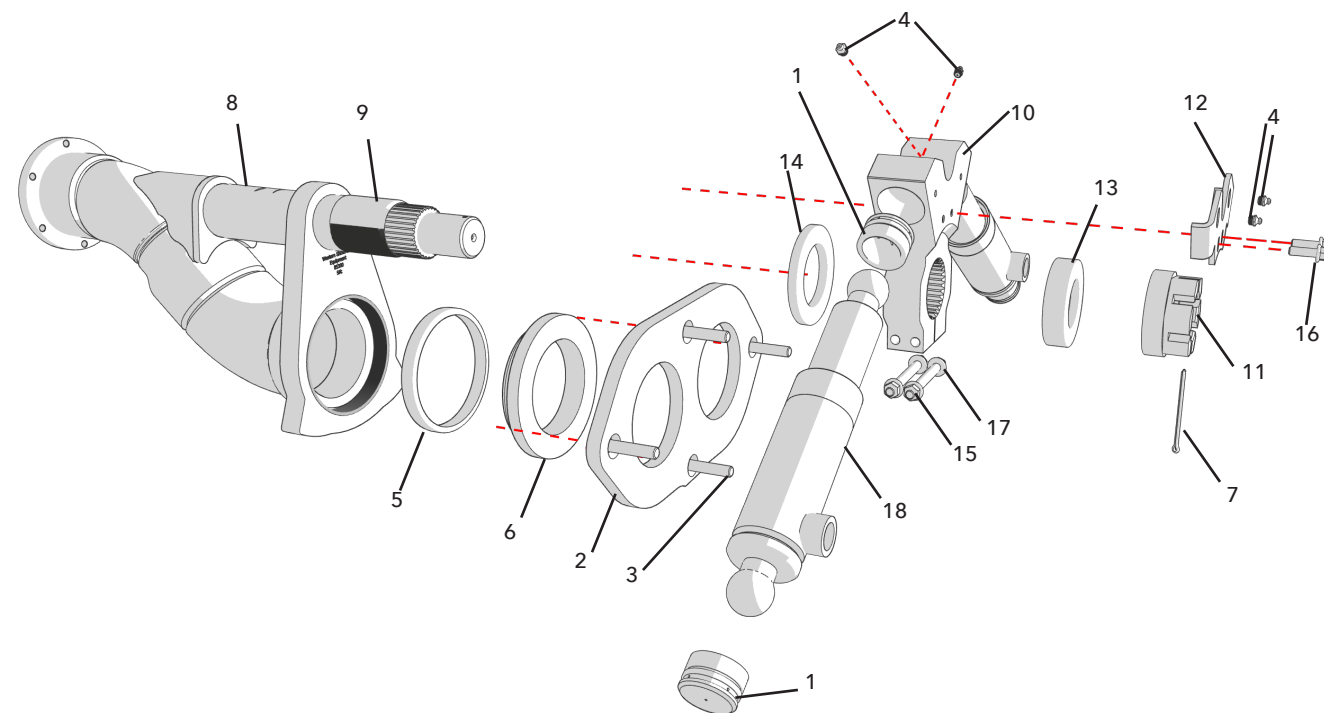
# FLATPACK

Dual Shift Hopper Components		
LINE	PART NUMBER	DESCRIPTION
1	85104	SPLASH GUARD CONNECTOR PANEL
2	84172	LED HOPPER LIGHT
3	85105	SPLASH GUARD
4	85105.01	CONDUIT FOR HOPPER LIGHT
5	85125	HOPPER GRATE
6	85233	URETHANE BUSHING
7	85125.14A	HOPPER GRATE ISOLATOR MOUNT
8	85123.01	REMIXER CONTROL VALVE PROTECTIVE COVER
9	83876	GREASE MANIFOLD
10	85150	OUTLET FLANGE
11	85181-PM	OUTLET BEARING HOUSING SEAL KIT
12	85182	OUTLET BEARING RETAINER KEY
13	85180	OUTLET BEARING
14	85320	CHROME OUTLET
15	86200.03	URETHANE BUMPER
16	85127	HOPPER GRATE LATCH ASSEMBLY
17	85125.18	HOPPER SHUTOFF SENSOR SEAL
18	85125.21	SHUTOFF SENSOR SEAL RETAINER
19	85125.22	SHUTOFF SENSOR TRIGGER
20	85125.17	SHUTOFF SENSOR COVER
21	85125.19	SHUTOFF SENSOR MOUNT
22	84283	HOPPER SHUTOFF SENSOR
23	83720-P	REMIXER VALVE CONTROL
24	85123	REMIXER/OUTRIGGER CONTROL BRACKET
25	85147A	PIN/LANYARD FOR CLEAN-OUT DOOR
26	85140	CLEAN-OUT DOOR
27	85512.02.DS	BALL RETAINER PLATE
28	85184	SHAFT SEAL RETAINER PLATE
29	85183	URETHANE SHAFT SEAL
30	025.1248	OUTER SEAL O-RING FOR FLANGE BEARING
31	85166.03	WIPER SEAL
32	85166.05	INNER SEAL, FLANGE BEARING
33	85166.DS	DUAL SHIFT FLANGE BEARING
34	85162.DS	BRONZE FLANGE BEARING INSERT

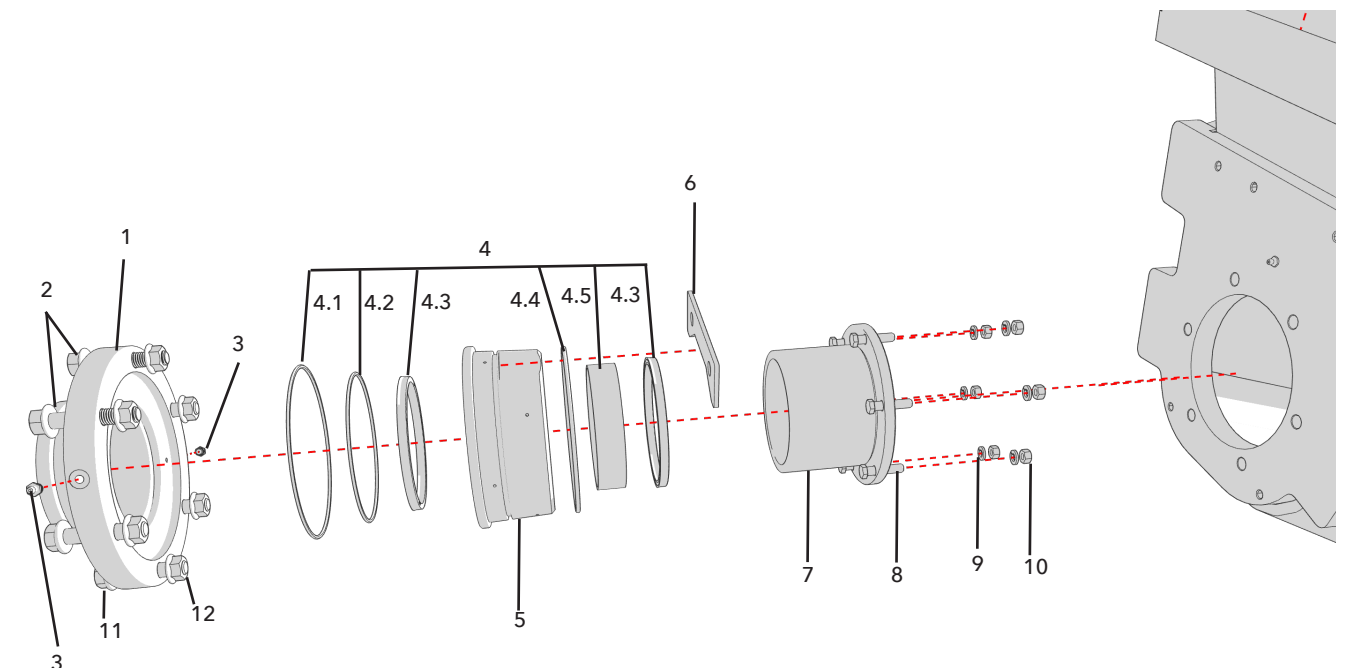


# FLATPACK

Dual Shift Swingtube Components		
LINE	PART NUMBER	DESCRIPTION
1	85122.DS	NYLON SHIFT CYLINDER CUP
2	85131 85131-C	WEAR PLATE-HARDENED STEEL WEAR PLATE-CARBIDE
3	85132	5/8"-11 X 3.5" FLAT HEAD SCREW
4	85166.04	3/8"-24 GREASE FITTING
5	85335	WEAR RING SEAL
6	85336	WEAR RING
7	85515	COTTER PIN
8	85300-DS	SWINGTUBE
9	85301.01.DS	CHROME SLEEVE
10	85501.DS	BELL CRANK
11	85511.DS	CASTLE NUT
12	85512.01.DS	BALL REATAINER, BELL CRANK
13	85512.DS	THRUST WASHER CAP
14	85513.DS	THRUST WASHER
15	022.7215	1/2"-13 FLANGE NUT
16	022.3004-20	3/8"-16 X 1.25" FLANGED HEX HEAD SCREW
17	022.3008-80	1/2"-13 X 5" FLANGED HEX HEAD SCREW
18	83900-DS	SHIFT CYLINDER

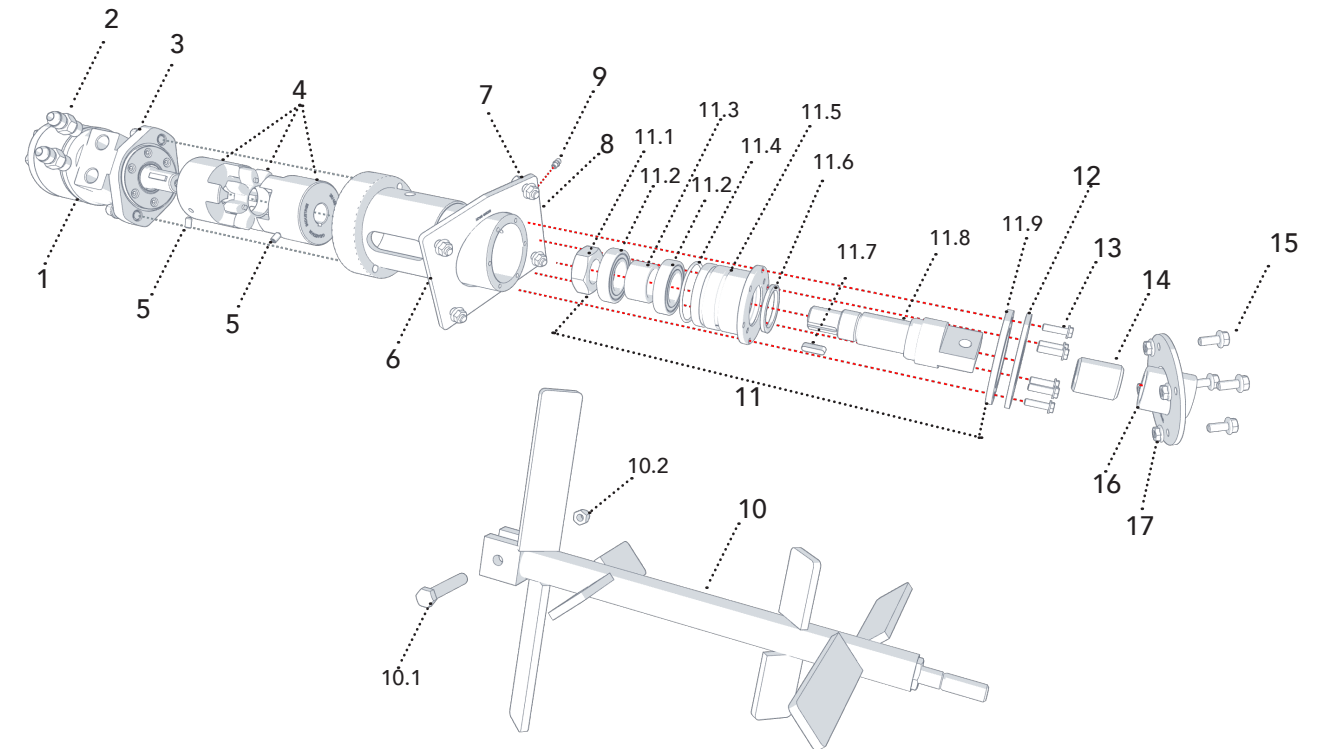


Outlet Components		
LINE	PART NUMBER	DESCRIPTION
1	85150	OUTLET FLANGE
2	022.3010-52	5/8"-11 X 3.25" FLANGED HEX HEAD SCREW
3	85166.04	3/8"-24 GREASE FITTING
4	85181-PM	OUTLET BEARING HOUSING SEAL KIT
4.1	025.1264	-264 O-RING
4.2	025.1260	-260 O-RING
4.3	85174-PM	LOADED LIP SEAL
4.4	025.1366	-366 O-RING
4.5	85180.01	1 1/4" GUIDE BAND
5	85180	OUTLET BEARING HOUSING
6	85182	OUTLET BEARING LOCKING BRACKET
7	85320	CHROME OUTLET
8	022.2004-28	3/8"-16 X 1.75 HEX HEAD SCREW
9	022.8207	3/8" LOCK WASHER
10	022.7011	3/8" HEX NUT
11	022.3010-48	5/8"-11 X 3" FLANGED HEX HEAD SCREW
12	022.7217	5/8"-11 FLANGE NUT



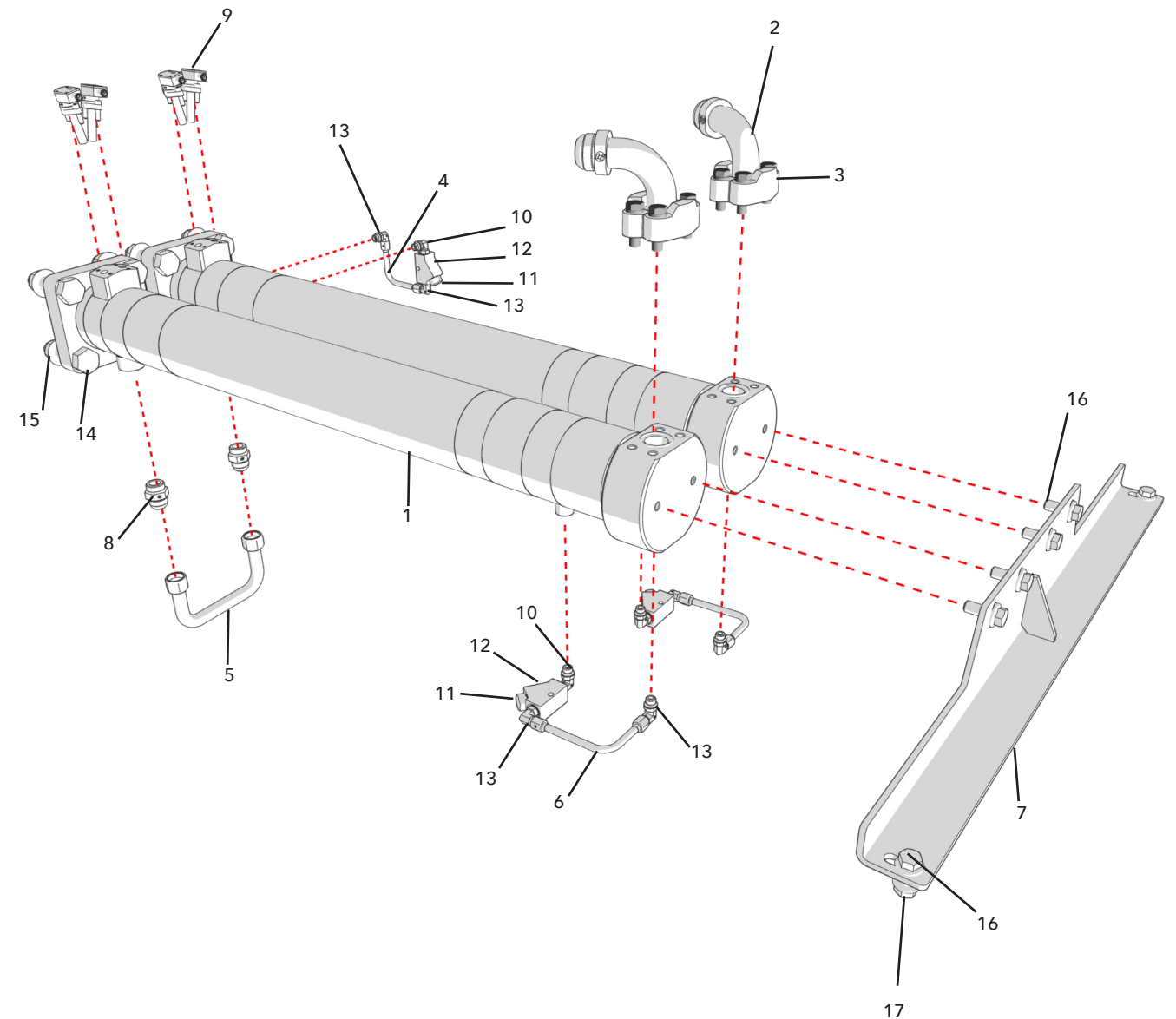
# FLATPACK

85200		
Remixer Assembly		
LINE	PART NUMBER	DESCRIPTION
1	85250	REMIXER MOTOR
2	83763	FITTING, 8MOR - 8MJ
3	022.3208-24	1/2"-13 X 1.5" SCREW, 12-POINT
4	85203-XH	GUARDIAN COUPLING WITH INSERT
5	022.6007-12	SET SCREW, 1/4"-20 X 3/4"
6	85202F	REMIXER HOUSING WELDMENT
7	022.3004-16	3/8"-16 X 1" FLANGED HEX HEAD CAP SCREW
8	022.7211	3/8"-16 FLANGED HEX NUT
9	026.1002	GREASE ZERK, 1/4"-28 STRAIGHT
10	85230	PADDLESHAFT SUBASSEMBLY
10.1	022.3108-40	1/2"-13 X 2.5" SERRATED-FLANGE HEX HEAD CAP SCREW
10.2	022.7215	1/2"-13 FLANGE NUT
11	85210	CARTRIDGE SUBASSEMBLY
11.1	022.7025-B	1.25"-12 HEX HALF NUT
11.2	85217	BEARING
11.3	85216	SPACER
11.4	025.1145	-145 O-RING
11.5	85211	ALUMINUM CARTRIDGE
11.6	85213	LOADED OUTER LIP SEAL
11.7	85222	1/4" X 1" KEY
11.8	85212	REMIXER SHAFT
11.9	85207	REMIXER OUTER SEAL
12	85208	RETAINER SEAL
13	022.2101-16	1/4"-28 X 1" HEX HEAD CAP SCREW
14	85233	IDLER BEARING
15	022.3002-12	5/16"-18 X 3/4" FLANGED HEX HEAD CAP SCREW
16	022.7209	5/16"-18 FLANGED HEX NUT
17	85112F	IDLER BEARING HOUSING



# FLATPACK

83200A		
Hydraulic Cylinder Components		
LINE	PART NUMBER	DESCRIPTION
1	83200	HYDRAULIC CYLINDER
2	83831.06	ADAPTER, 1.25" FLANGE
3	83757	1.25" 6K SPLIT-FLANGE KIT
4	83833	REAR HYDRAULIC LINE
5	83822	CYLINDER CROSSOVER LINE
6	83801.03	FRONT HYDRAULIC LINE
7	81052.S5	FRONT CROSSMEMBER
8	83730	FITTING, 16MJ X 16MOR, STRAIGHT
9	84275	PROXIMITY SENSOR
10	83792.02	90° ADAPTER , MOR-06 X MOR-06
11	83791	CHECK VALVE
12	83792	CHECK VALVE BODY
13	83735	90° ADAPTER, 06-MJIC X 06-MOR
14	022.2016-64	1"-14 X 4" HEX HEAD SCREW
15	022.7223	1"-14 FLANGE NUT
16	022.3008-20	1/2-13" X 1.25" FLANGED HEX HEAD SCREW
17	022.7215	1/2"-13 FLANGE NUT

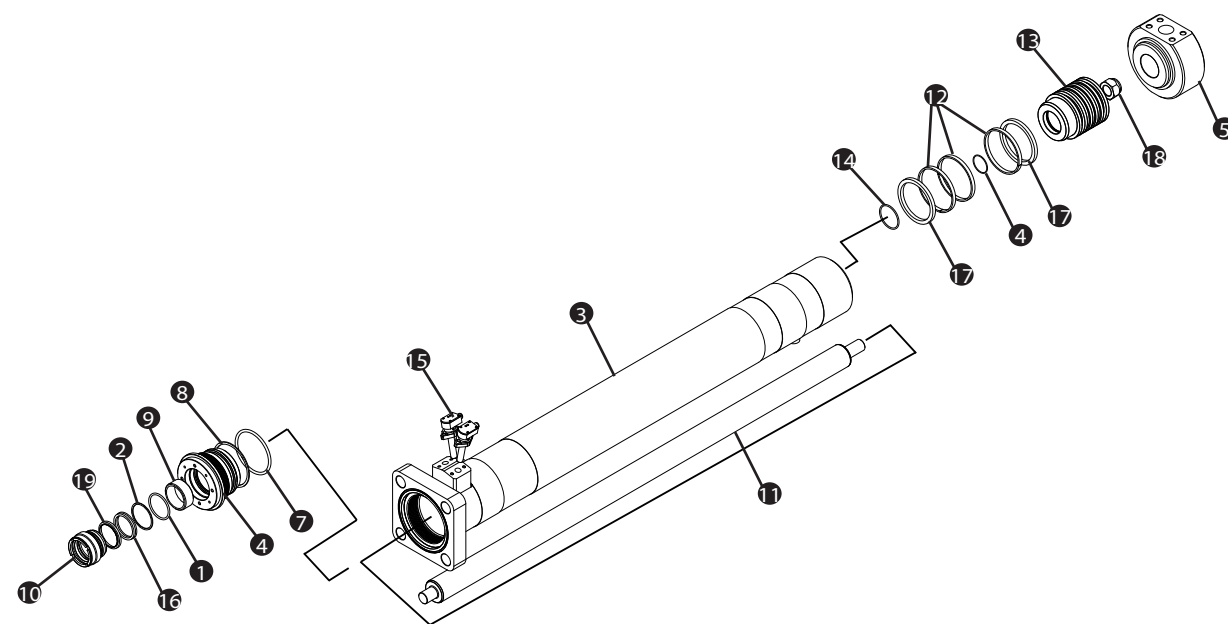
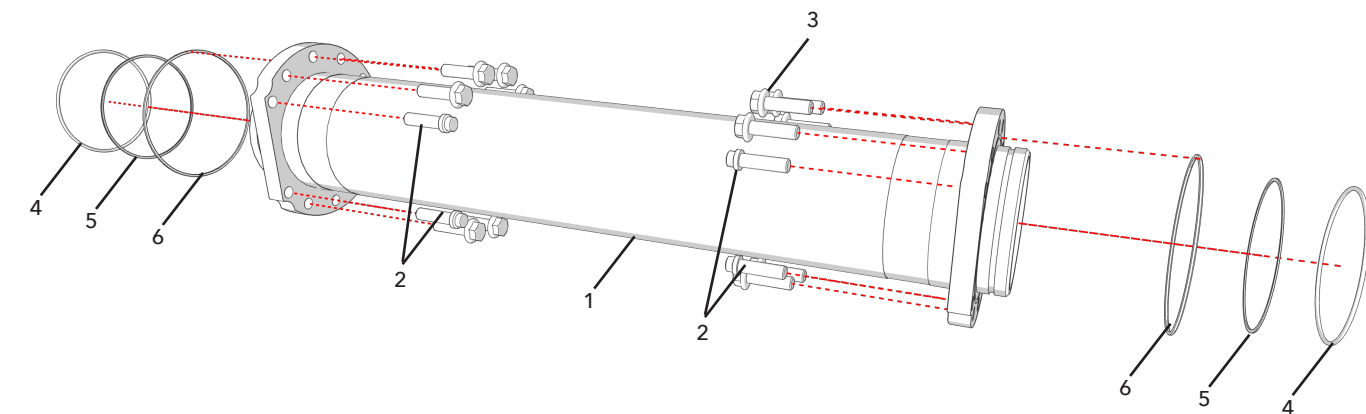


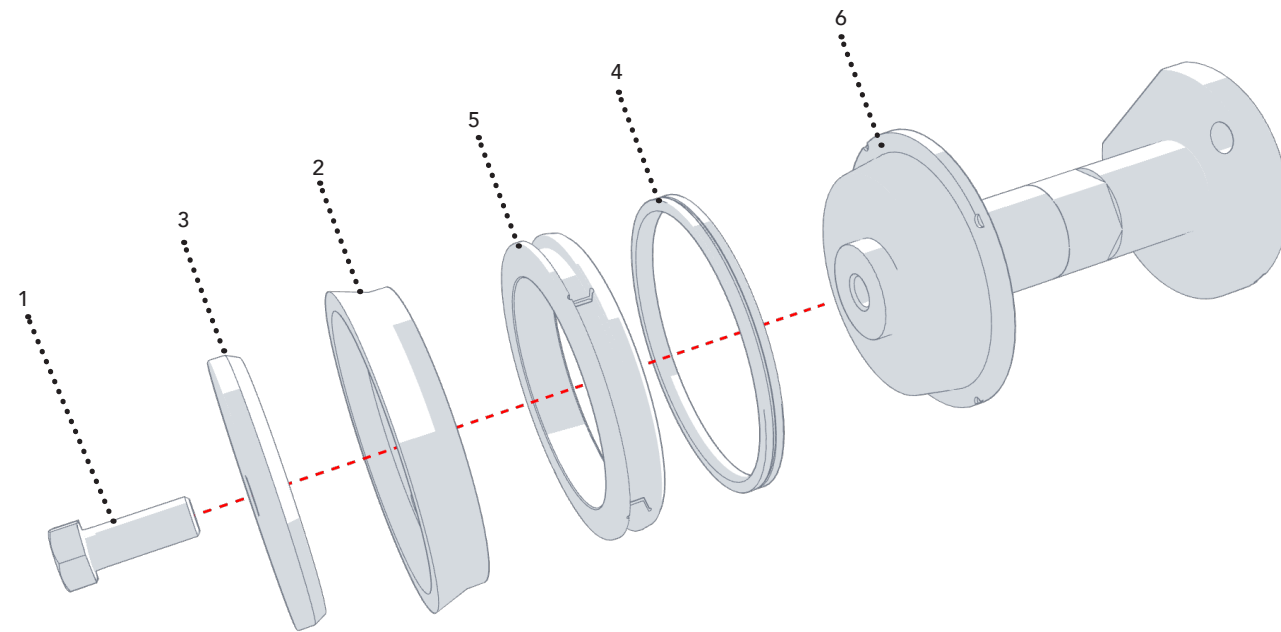


# FLATPACK

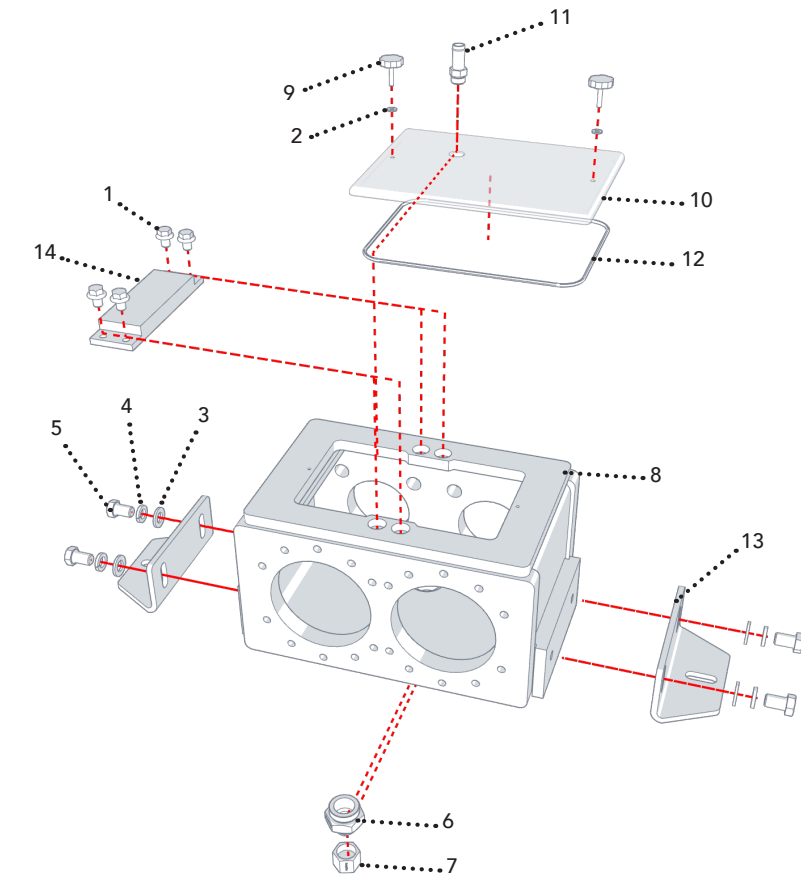
83200 Hydraulic Cylinder Assembly		
LINE	PART NUMBER	DESCRIPTION
1	025.1227	-227 BUNA O-RING
2	025.2227	-227 BACKUP O-RING
3	83201	4" HYDRAULIC CYLINDER
4	83204	GLAND HOUSING
5	83207	4" CYLINDER HEAD
6	83214	-229 BUNA O-RING
7	83215	-342 BUNA O-RING
8	83216	-342 BACKUP RING
9	83217	OIL IMPREGNATED BUSHING
10	83219	2" GLAND BUSHING
11	83232	2" ROD
12	83279	WEAR RING 4" X .312" X .125"
13	83280	4" HYDRAULIC CYLINDER PISTON AND TARGET RING
14	025.1136	-136 O-RING
15	84275	PROXIMITY SENSOR
16	D300	D300 ROD SEAL, 2" ROD
17	HDP-330	HDP-330 PISTON SEAL
18	85524	1" - 14 JAM NUT
19	83222	WIPER WITH BRASS METAL SCRAPER

85400A Material Cylinder Assembly		
LINE	PART NUMBER	DESCRIPTION
1	85401	MATERIAL CYLINDER
2	022.3210-36	5/8"-11 X 2.25" 12-POINT SCREW
3	022.3010-36	5/8"-11 x 2.25" FLANGED HEX HEAD SCREW
4	025.1259	-259 O-RING
5	025.2259	-259 BACKUP O-RING
6	025.2264	-264 O-RING





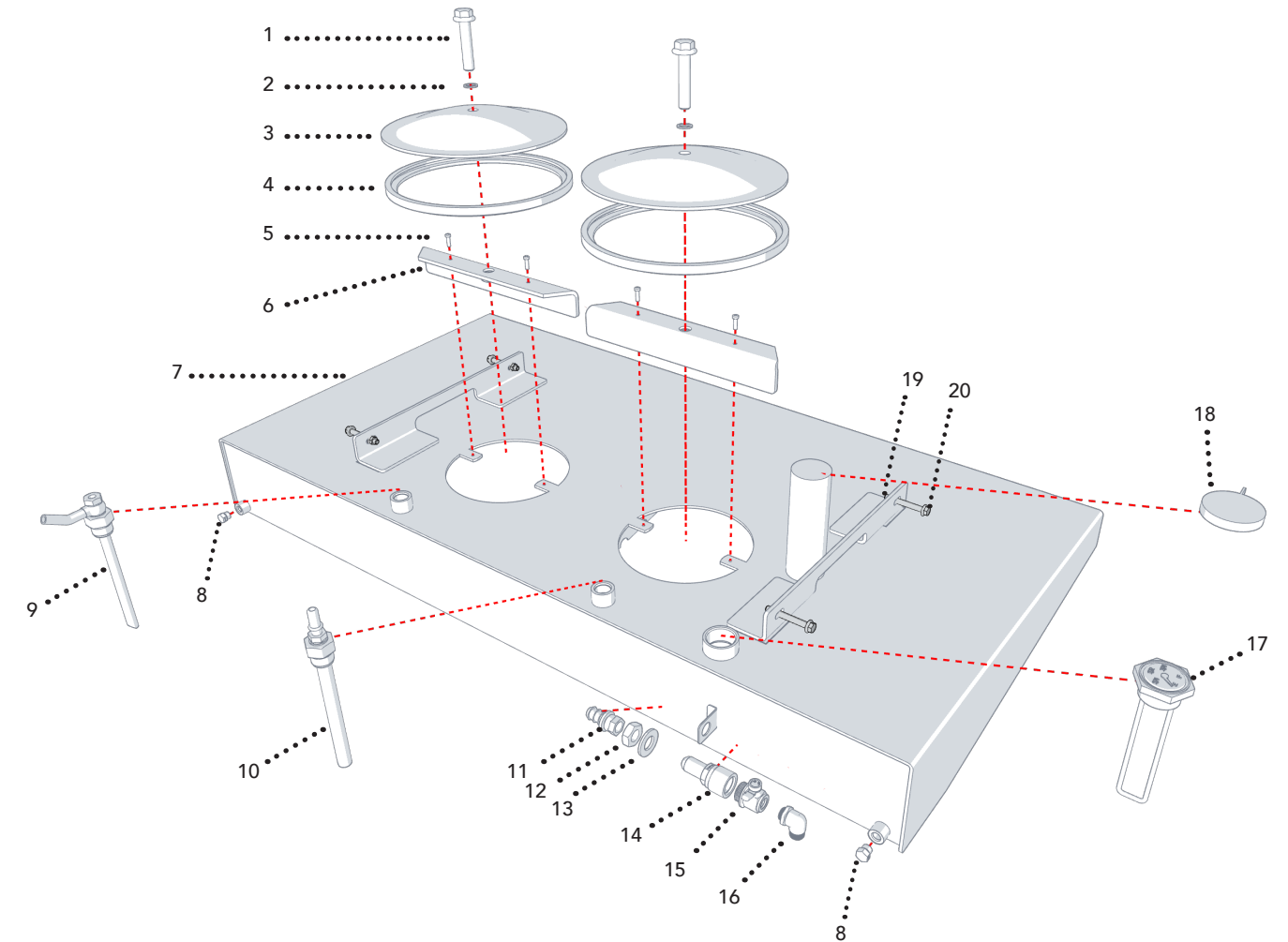
<b>85773A</b> Cup Adapter Components		
LINE	PART NUMBER	DESCRIPTION
1	022.2012-32	3/4" - 10 UNC X 2" HEX HEAD CAP SCREW
2	85704	PISTON CUP
3	85754	CUP RETAINER WASHER
4	85770	URETHANE SEAL
5	85771	SEAL RETAINER
6	85773	CUP ADAPTER WELDMENT



<b>85600A</b> Water Box Parts List			
LINE	QTY	PART NUMBER	DESCRIPTION
1	4	022.3008-10	1/2"-13 X .625" FLANGED HEX SCREW
2	2	022.8005	1/4" PLAIN WASHER
3	4	022.8011	3/4" NARROW WASHER
4	4	022.8211	3/4" LOCK WASHER
5	4	022.3012-20	3/4"-10 X 1.25" HEX HEAD SCREW
6	1	83620.04	FITTING, 16 MJ - 24 MOR UNION
7	1	83620.04.1	16MJ PIPE CAP
8	1	85600F	WATER BOX
9	2	85613	THUMB SCREW
10	1	85614	WATER BOX COVER WINDOW
11	1	85614.04	ADAPTER, 12 HOSE-10MOR
12	1	85615	COVER WINDOW SEAL
13	2	85617	WATERBOX ANGLE MOUNTING BRACKET
14	1	85630	SUPPORT CROSSBAR

## FUEL TANK

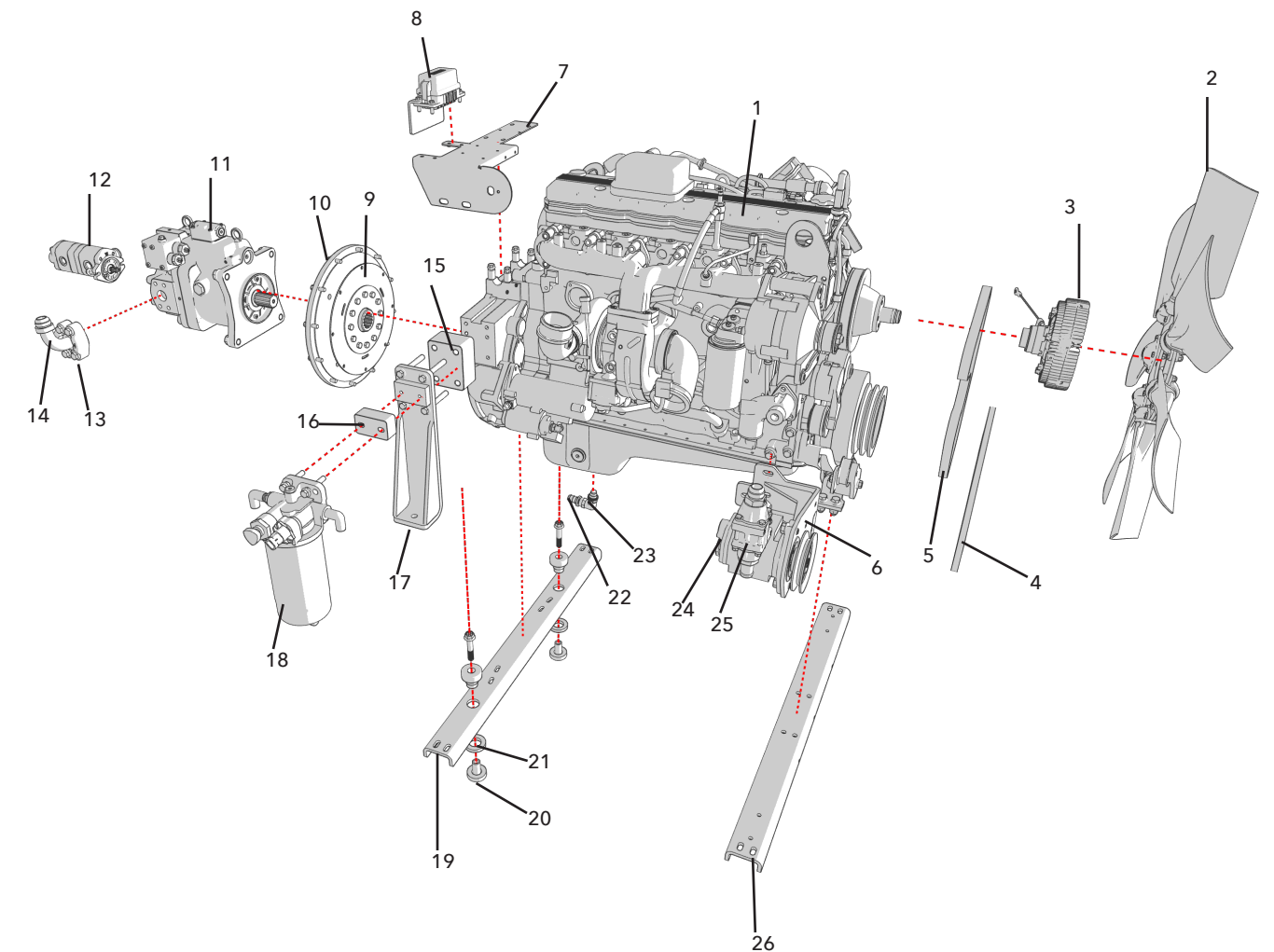
<b>82290A</b>		
Fuel Tank Components (for models built after 1/1/21)		
LINE	PART NUMBER	DESCRIPTION
1	022.3010-48	5/8"-11 X 3" FLANGED HEX HEAD CAP SCREW
2	83604.1	CRUSH WASHER, 5/8" ID
3	83604	12" TANK CLEANOUT COVER KIT WITH CRUSH WASHER AND GASKET
4	83605	GASKET FOR CLEANOUT COVER
5	022.5103-12	10-24 X .75" LENGTH PHILLIPS SCREW
6	83600.1	ANGLE BRACKET FOR ACCESS COVER, INCLUDES WELD NUT AND PEMSERTS
7	82290F	FUEL TANK SHEETMETAL WELDMENT
8	52210	#6 SAE HEX PLUG
9	52206	RETURN LINE ASSEMBLY
10	52207	SUCTION LINE ASSEMBLY
11	85614.02	10 FJX- 12 BARB FITTING
12	022.7021-B	7/8" HEX JAM NUT
13	022.8112	7/8" PLAIN WASHER
14	53610.04	OIL DRAIN VALVE ADAPTER
15	53610.01	EZ DRAIN VALVE
16	53610.02	90° ADAPTER
17	52205	FUEL TANK GAUGE
18	82257.02	DIESEL FILLER CAP
19	022.7311	3/8"-16 SERRATED FLANGE HEX NUT
20	022.3004-44	3/8"-16 X 2.75" FLANGED HEX HEAD CAP SCREW



## ENGINE AND RADIATOR

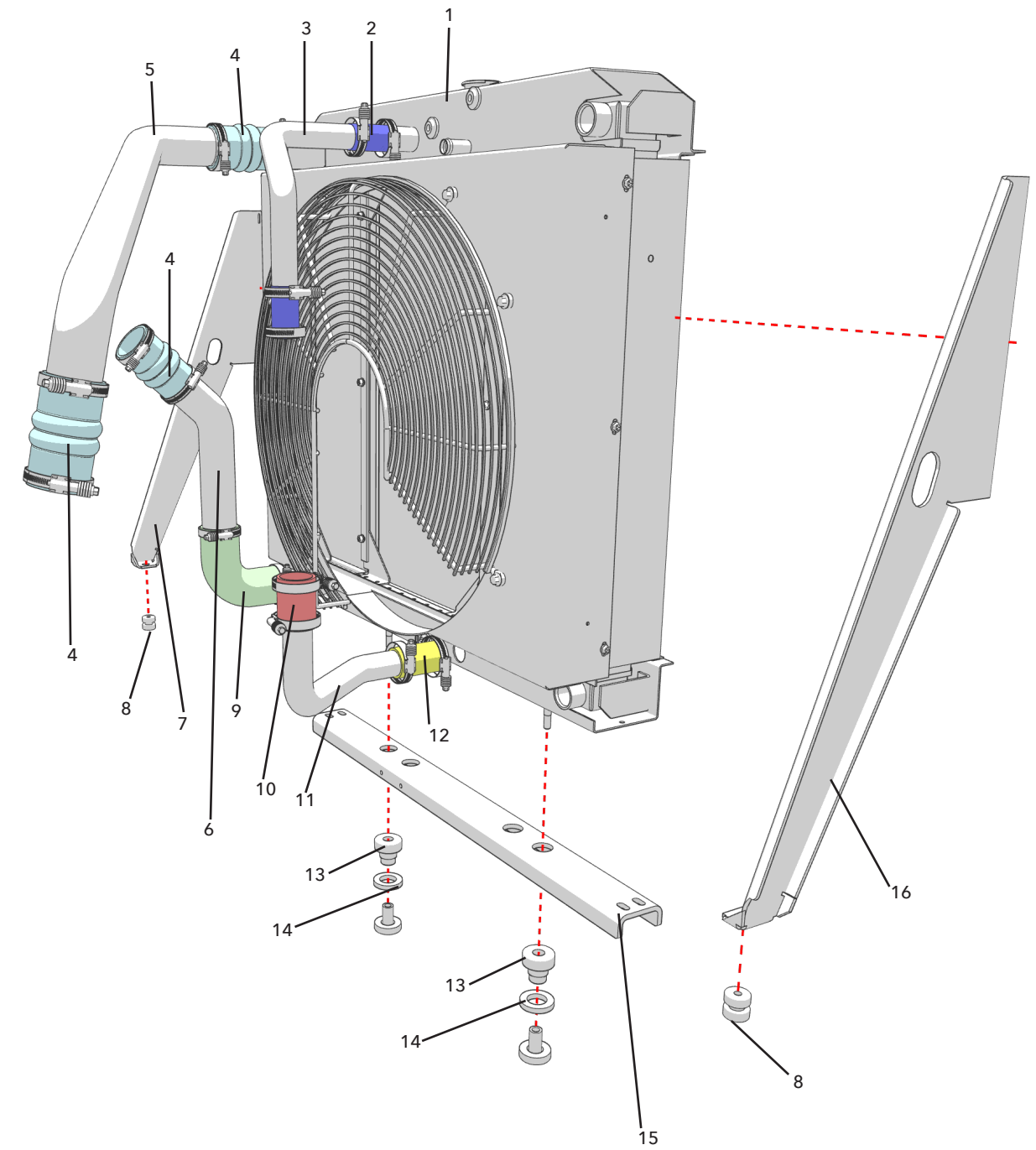
<b>82080A.FS5</b>		
6.7 Cummins Stage V Engine Components		
LINE	PART NUMBER	DESCRIPTION
1	82080-T4FS5	ENGINE GROUP
2	82080.32	FAN
3	82080.33	CLUTCH
4	82070.03	V-BELT
5	-	SERPENTINE BELT
6	83125.01A	OIL COOLER BRACKET
7	84160-55	ELECTRICAL PANEL MOUNT
8	-	POWER DISTRIBUTION BOX
9	83702-G	PUMP DRIVE KIT
10	83702-GXH-200	PUMP MOUNTING PLATE
11	83100-KAW200	HYDRAULIC PUMP, 200CC
12	83701-P	TANDEM GEAR PUMP
13	83831.10	SPLIT FLANGE KIT
14	83831.11	90° FLANGE
15	82080.04.04	ALUMINUM SPACER BLOCK
16	82080.04.05	ALUMINUM SPACER
17	82080.04-R	RH SIDE MOTOR MOUNT
18	FS90403	FUEL/WATER SEPARATOR
19	81205R	REAR CROSSMEMBER
20	82080.02.1	RUBBER ISOLATOR
21	82080.02.2	ISOLATOR STEEL SPACER
22	85614.02	FITTING, 10 FJX- 12 BARB
23	82089.04	FITTING, 10 MJ TO 18 METRIC
24	83122.RP	OIL COOLING PUMP
25	83132.09	THERMAL BYPASS ASSEMBLY (OPTIONAL COMPONENT)
26	81205F	FRONT CROSSMEMBER

	CUMMINS 6.7 TIER 3 MODELS	CUMMINS 6.7 TIER 4-I MODELS	CUMMINS 6.7 TIER 4-F MODELS	X600 CUMMINS 6.7 STAGE V
OIL FILTER	82085			
FUEL FILTER	82086	82086-ST5		
PRIMARY AIR FILTER	82020.02			
SECONDARY AIR FILTER	82020.03			
FUEL/WATER SEPARATOR	82087	82020.40	82020.48	82020.49



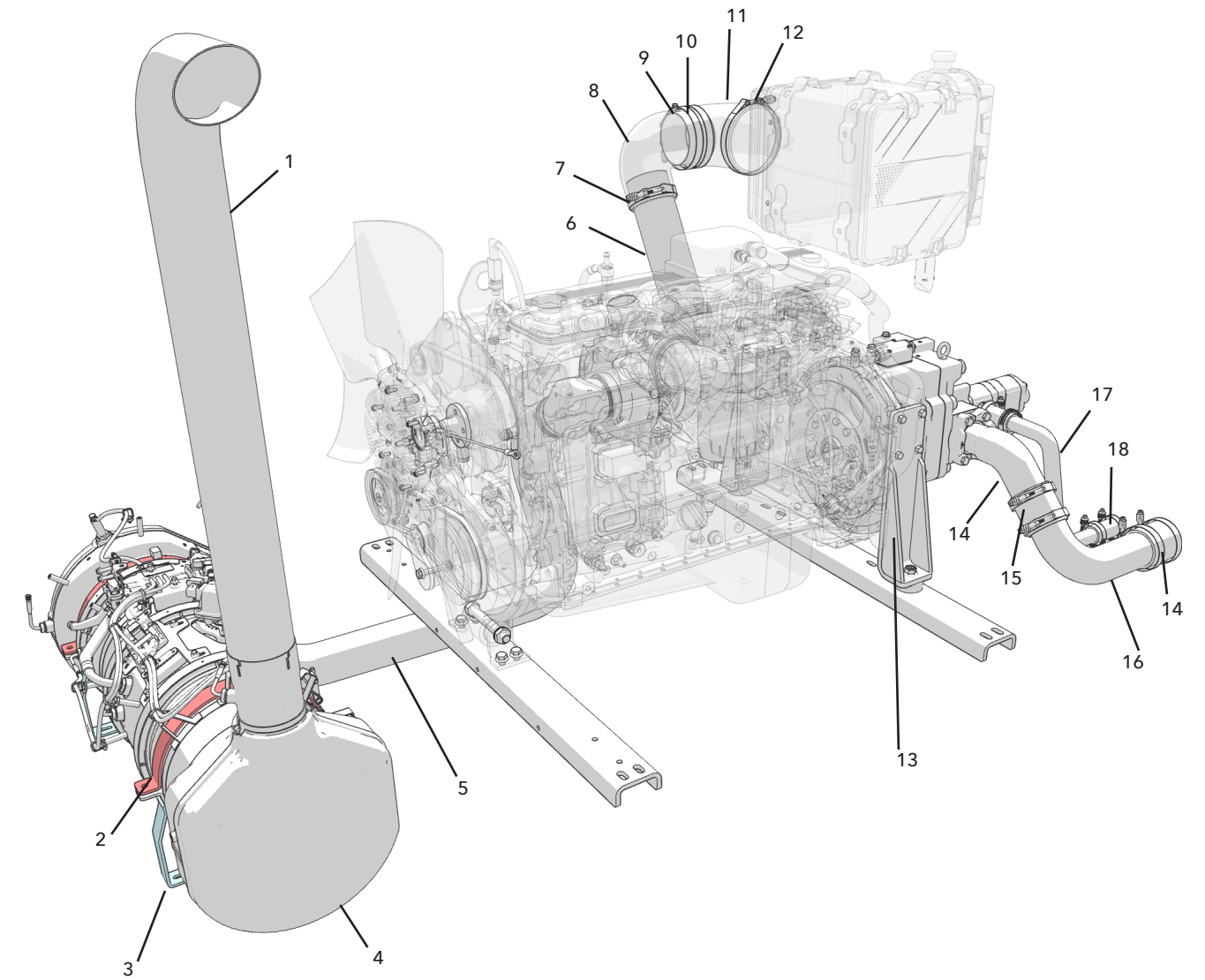
## ENGINE AND RADIATOR

<b>82021-S5 RAD</b>		
X600 Radiator Group		
LINE	PART NUMBER	DESCRIPTION
1	82081	RADIATOR
2	53804.01	RUBBER STRAIGHT CONNECTOR
3	82081.04	COOLANT TUBE, ENGINE OUT/RAD IN
4	82081.23	SILICONE STRAIGHT CONNECTOR
5	82081.13	PIPE, CAC IN/TURBO OUT
6	82081.14	PIPE, CAC OUT/ENGINE IN
7	82081.21	LH SIDE RADIATOR SUPPORT BRACKET
8	82071.10	RUBBER ISOLATOR
9	52135	SILICONE ELBOW CONNECTOR
10	82081.30	RUBBER STRAIGHT CONNECTOR
11	82081.05-S5	LOWER RADIATOR TUBE
12	52112.01	RUBBER STRAIGHT CONNECTOR
13	82080.02.1	RUBBER ISOLATOR
14	82080.02.2	STEEL ISOLATOR SPACER
15	81206.S5	CROSSMEMBER
16	82081.22	RH SIDE RADIATOR SUPPORT BRACKET



## ENGINE AND RADIATOR

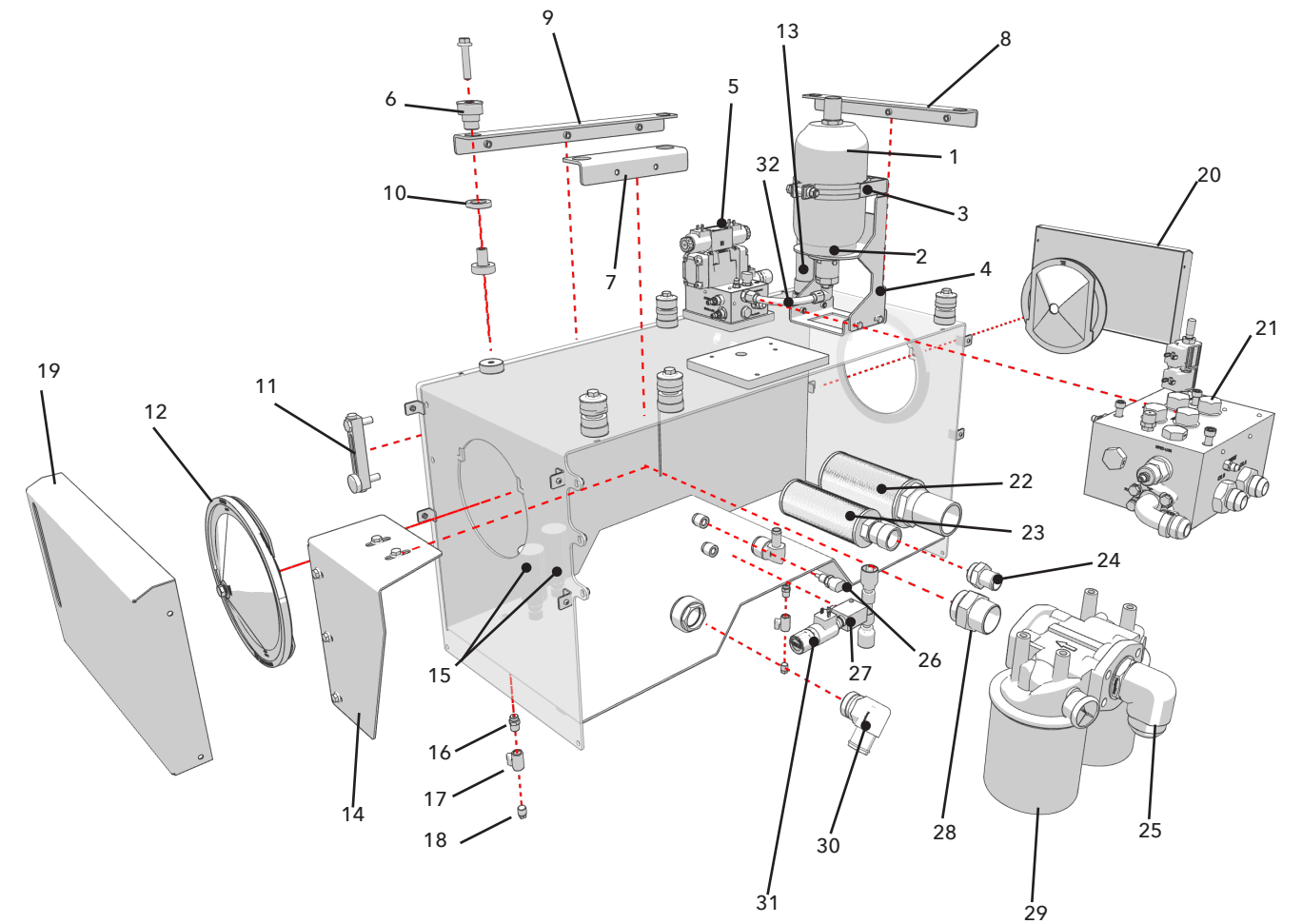
<b>82021.F55</b>		
X600 Engine/Radiator Group		
LINE	PART NUMBER	DESCRIPTION
1	82083.09	EXHAUST PIPE
2	82020.23	MUFFLER UPPER RING
3	82020.26	MUFFLER RING BASE
4	A057G074	SCR CANNISTER
5	82083.14	EXHAUST TO SCR CANISTER PIPE
6	82040.12	AIR CLEANER TUBE
7	82084.05.2	CLAMP
8	82084.11	RUBBER ELBOW, 5" X 4"
9	82084.11.1	CLAMP
10	82040.14	TUBE, AIR CLEANER ELBOW
11	82084.14	RUBBER ELBOW, 6" X 5"
12	82084.14.1	CLAMP
13	82080.04-L	LH SIDE MOTOR MOUNT
14	83117.KB-2	UPPER INTAKE TUBE
15	83114	RUBBER CONNECTOR TUBE
16	83117.KA-2	LOWER INTAKE TUBE
17	83128	TANDEM PUMP SUCTION TUBE
18	53804.01	RUBBER CONNECTOR TUBE



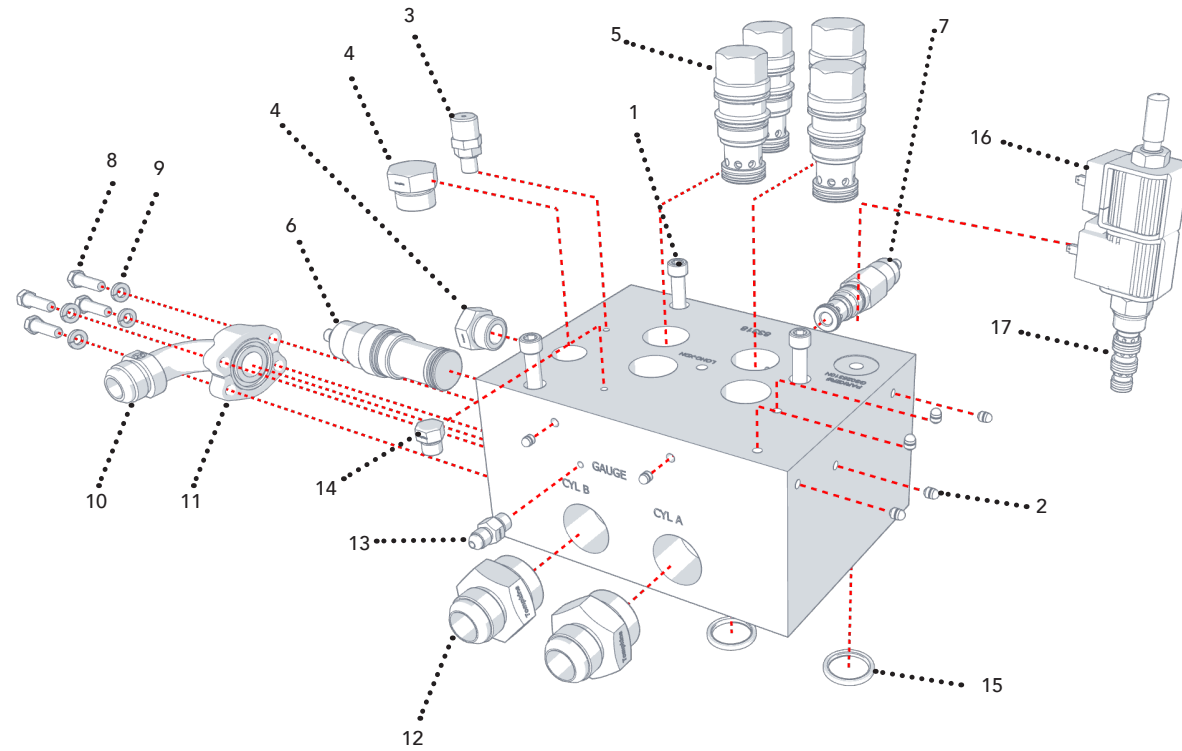


# HYDRAULIC TANK

83640A Hydraulic Tank Components		
LINE	PART NUMBER	DESCRIPTION
1	83520-H	ACCUMULATOR
2	83615	ACCUMULATOR SADDLE
3	83521	ACCUMULATOR CLAMP
4	83522	ACCUMULATOR MOUNT
5	83400	CONTROL BLOCK ASSEMBLY
6	86510.01V	RUBBER ISOLATOR
7	86510.05	SHORT ISOLATOR BRACKET
8	86510.06	MEDIUM ISOLATOR BRACKET
9	86510.07	LONG ISOLATOR BRACKET
10	86510.02	ISOLATOR SPACER
11	83612	LIQUID LEVEL TEMPERATURE GAUGE
12	53613	CLEANOUT COVER ASSEMBLY WITH GASKET
13	83660F	SCREW-IN FILL NECK
14	83647.03	RETURN FILTER SUPPORT BRACKET
15	83648	DIFFUSER
16	83662.01	FITTING, 08MOR- 08MP
17	83662.02	1/2" MINI BALL VALVE
18	82422	OIL DRAIN PLUG
19	86724	RH SIDE HYDRAULIC TANK COVER
20	86723	LH SIDE HYDRAULIC TANK COVER
21	83300S	CYCLE BLOCK ASSEMBLY
22	83704	CONVOLUTED STRAINER
23	83705	SUCTION STRAINER
24	83132	90° FITTING, 24 HOSE - 24 MOR
25	83128.01	90° FITTING, 24MJ X 24ORB
26	54102	OIL TEMPERATURE SENSOR
27	83407.03	DUMP VALVE BODY
28	83647.04	FITTING, 24MP X 24 MOR
29	83647	FILTER HOUSING (INCLUDES 83647.01 FILTERS)
30	83131.01	90° FITTING, 24HOSE X 24MOR
31	83406-SUN	2-WAY VALVE
32	83523	HYDRAULIC LINE, CONTROL BLOCK TO ACCUMULATOR



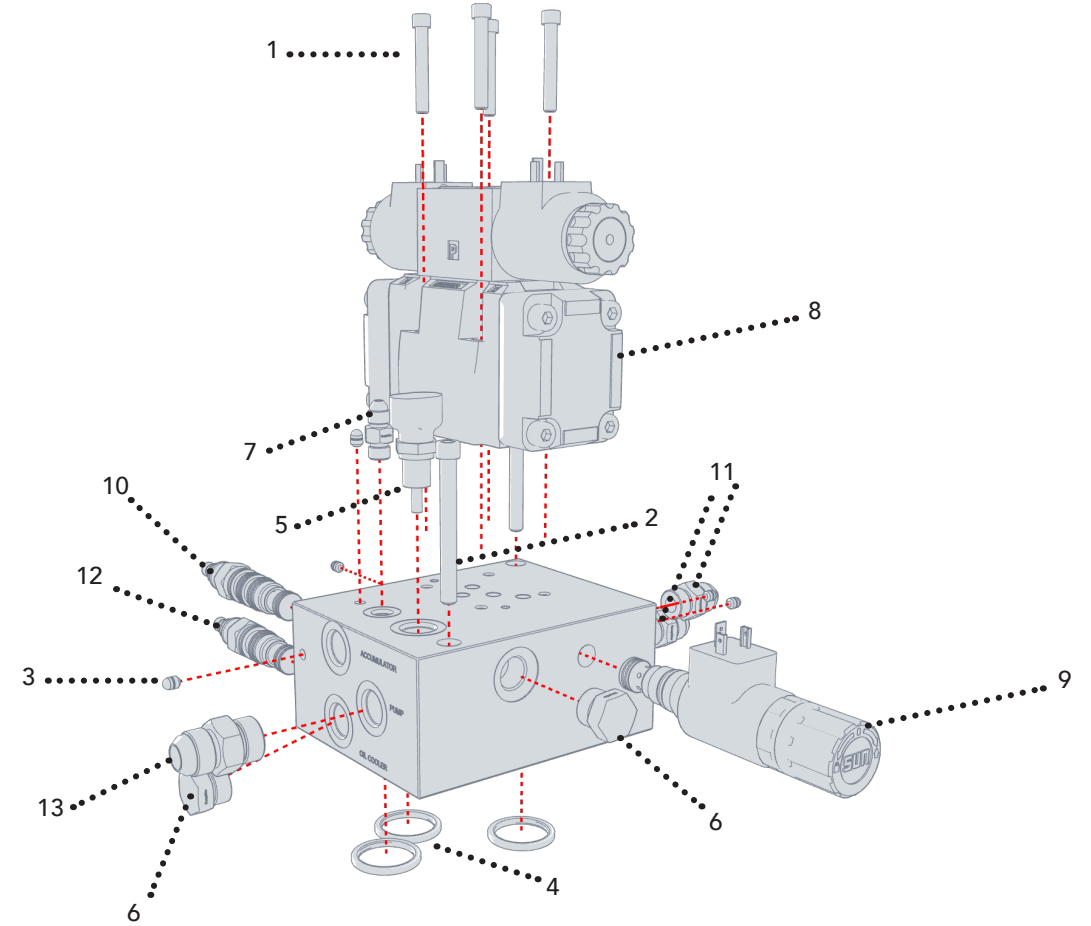
## CYCLE BLOCK



### 833005 Cycle Block Assembly

LINE	PART NUMBER	DESCRIPTION
1	022.1004-72	3/8-16 X 4.5" SOCKET HEAD CAP SCREW
2	023.4101	PNEUMATIC PRESS PLUG
3	83874	TPO-04 TEST POINT TO 04 O-RING FITTING
4	83318.02	12-MOR HEX PLUG
5	83304	SUN LOGIC CARTRIDGE LOGC-XDN
6	83311	SUN FLOW CONTROL NFED-LHN
7	83316.P	SUN PROPORTIONAL RELIEF VALVE
8	022.2004-20	3/8" -16 X 1.25" HEX HEAD CAP SCREW
9	022.8207	3/8" LOCK WASHER
10	83752	90° FLANGE, 16 SIZE
11	83318.06	1" 3K SPLIT FLANGE KIT
12	83318.14	20MOR X 16MJ FITTING
13	83107	JIC-04 X MOR-04 FITTING
14	83318.12	SAE-4 HEX PLUG
15	025.1219-1B	-219 BUNA 90 X-PROFILE O-RING
16	83413.1	PARKER 5K COIL
17	83413	DIRECTIONAL VALVE CARTRIDGE

## CONTROL BLOCK



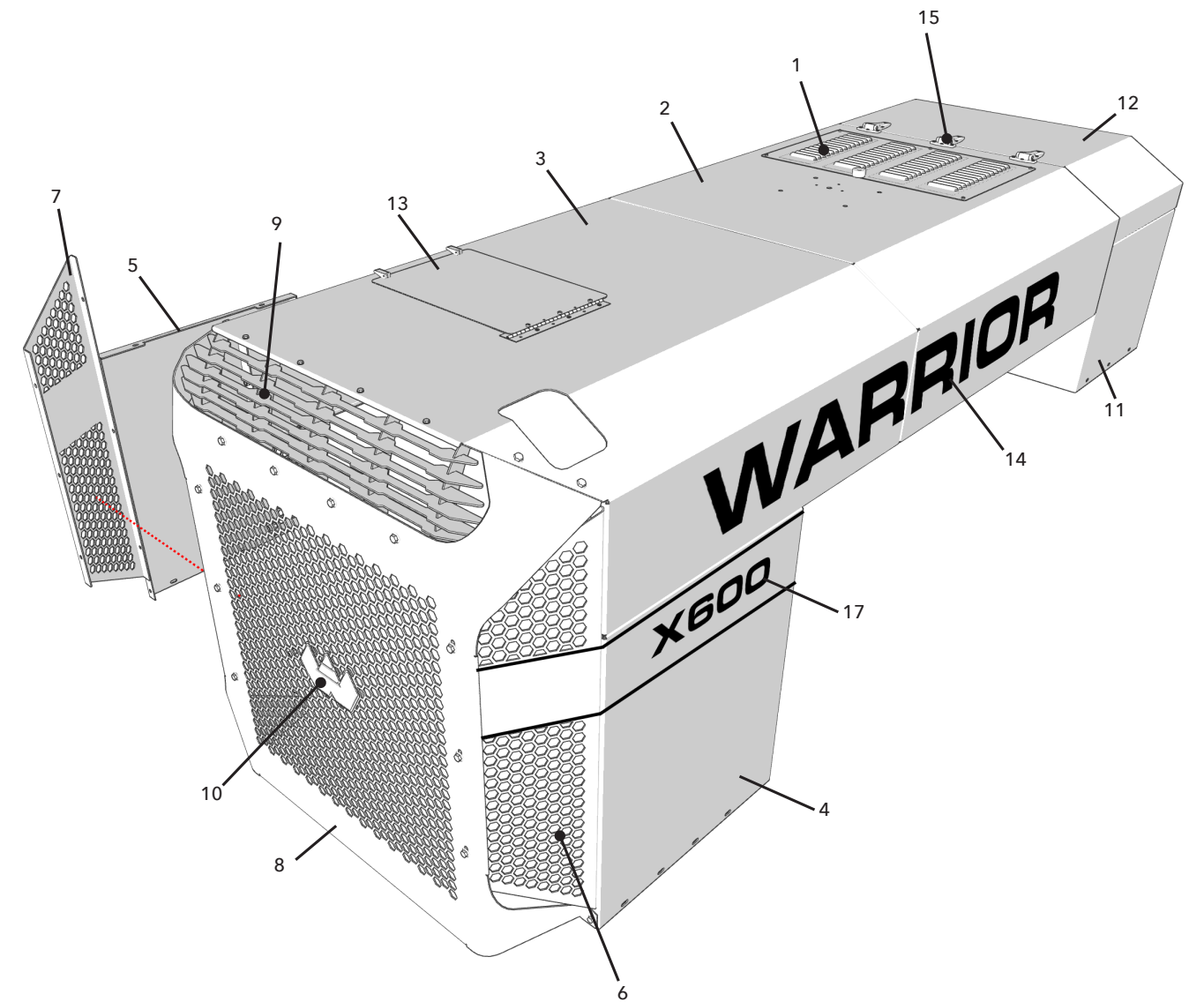
### 83400 Control Block

LINE	PART NUMBER	QTY	DESCRIPTION
1	022.1001-28	4	1/4"-20 X 1.75" SOCKET HEAD CAP SCREW
2	022.1002-48	2	5/15" - 18 X 3" SOCK HEAD CAP SCREW
3	023.4101	5	.250" PNEUMATIC PLUG
4	025.1219-1B	3	-219 BUNA 90 X-PROFILE O-RING
5	84261.1	1	OVERTEMPERATURE SENSOR
6	82263	2	FITTING 8MOR HEX HEAD PLUG
7	83107	1	FITTING 04MJ X 04MOR
8	83402	1	REXROTH DIRECTIONAL VALVE W/PILOT
9	83406-SUN	4	DUMP VALVE
10	83410	1	SUN CARTRIDGE VALVE, QCDB-LAN
11	83412.02	2	8MOR-8MJ FITTING
12	83414	1	SUN CARTRIDGE VALVE RVCA-LAN
13	83726	2	FITTING, 10MJ X 8MOR



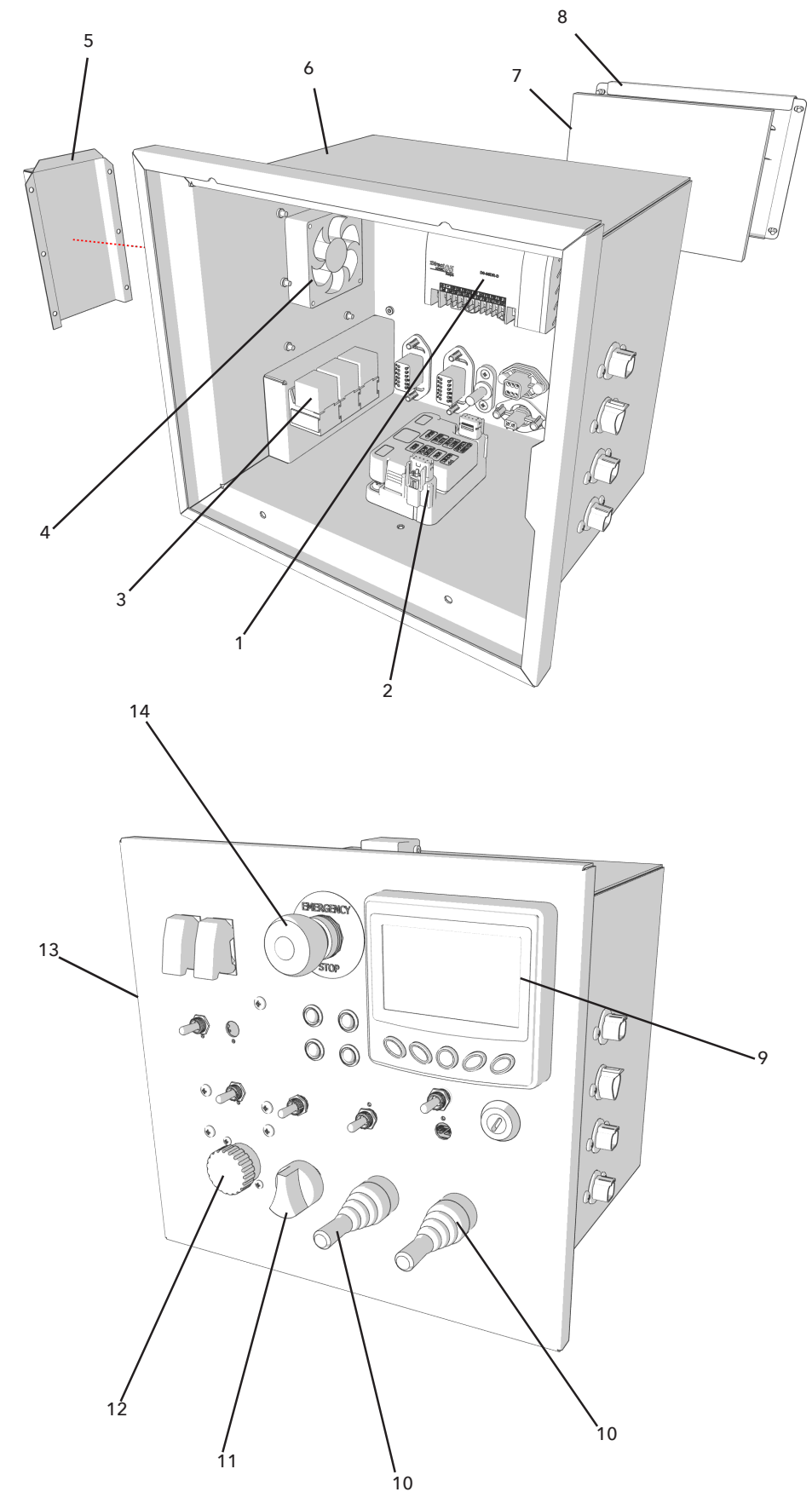
## BODY

86700.X600 X600 Sheetmetal		
LINE	PART NUMBER	DESCRIPTION
1	86702.02	ENGINE COVER TOP LOUVER
2	86702.T4	ENGINE COVER REAR HALF
3	86701.S5	ENGINE COVER FRONT HALF
4	86711-L	LEFT SIDE PANEL
5	86711-R	RIGHT SIDE PANEL
6	86712-L	FRONT LH VENT SHROUD
7	86712-R	FRONT RH VENT SHROUD
8	86713	FRONT BODY PANEL
9	86714	GRILLE
10	87063	W EMBLEM DECAL
11	86721	HYDRAULIC TANK COVER
12	86722	42" HYDRAULIC TANK COVER LID
13	86710	TOP RADIATOR ACCESS DOOR
14	87023	WARRIOR DECAL
15	86305	LID HINGE
16	87024	X600 STRIPE DECAL



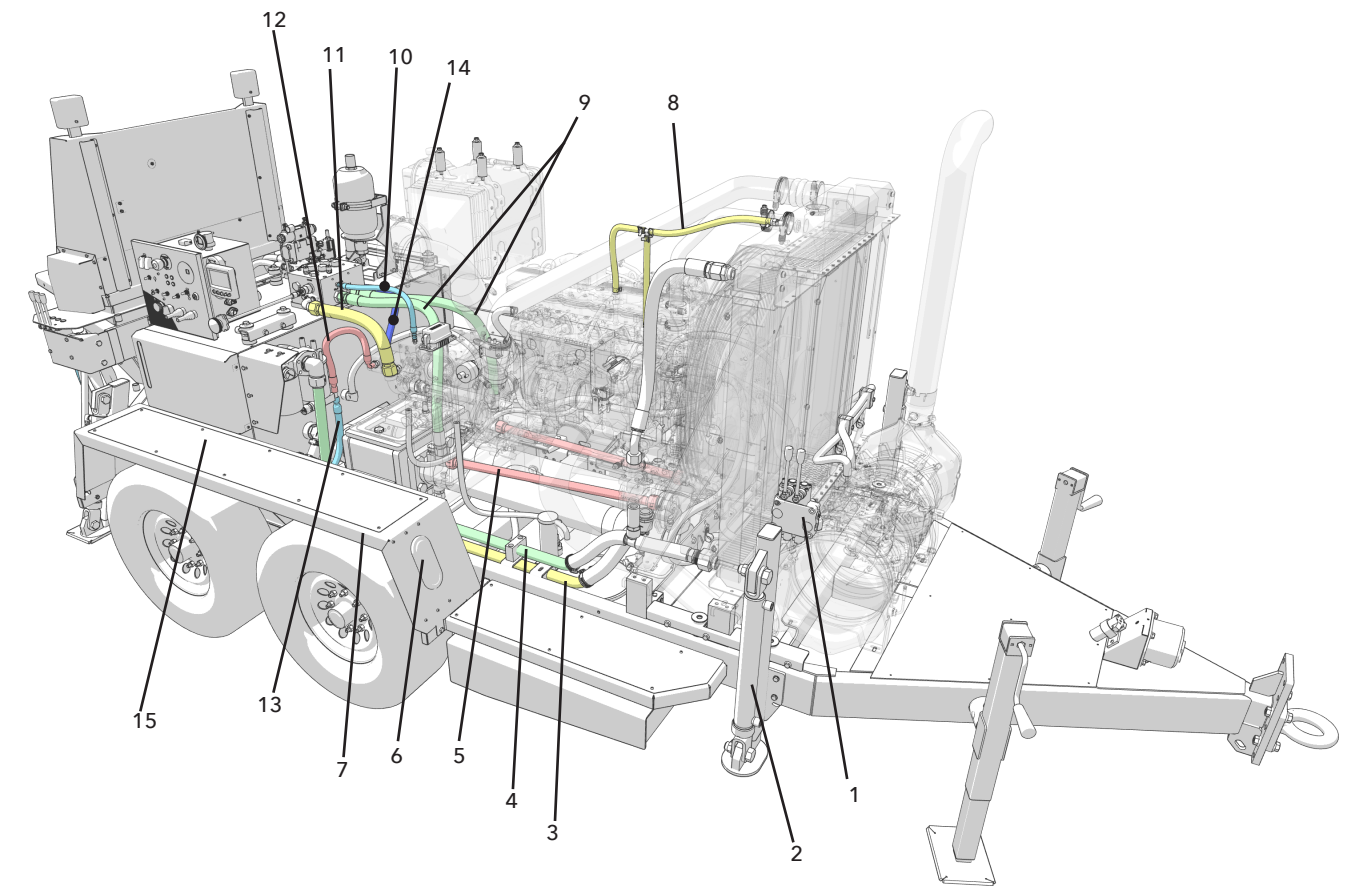
## CONTROL BOX

86400 PLC Enclosure		
LINE	PART NUMBER	DESCRIPTION
1	84201.MK2	DL-05 PLC CONTROLLER
2	84239	FUSE HOLDER
3	84149	RELAY
4	84207	PLC FAN
5	84216	FAN COVER
6	84279-S5	PLC ENCLOSURE BODY
7	86307.2	AIR FILTER
8	86312.T4F	AIR FILTER COVER
9	84240-380	POWerview 380 TACHOMETER
10	84157	THROTTLE TOGGLE SWITCH, MAINTAINED
11	84142	IGNITION SWITCH
12	84240.36	DIAGNOSTIC PLUGIN PORT
13	84279.02-S5	CONTROL PANEL, MKII PLC BOX
14	84150	EMERGENCY SHUT OFF SWITCH



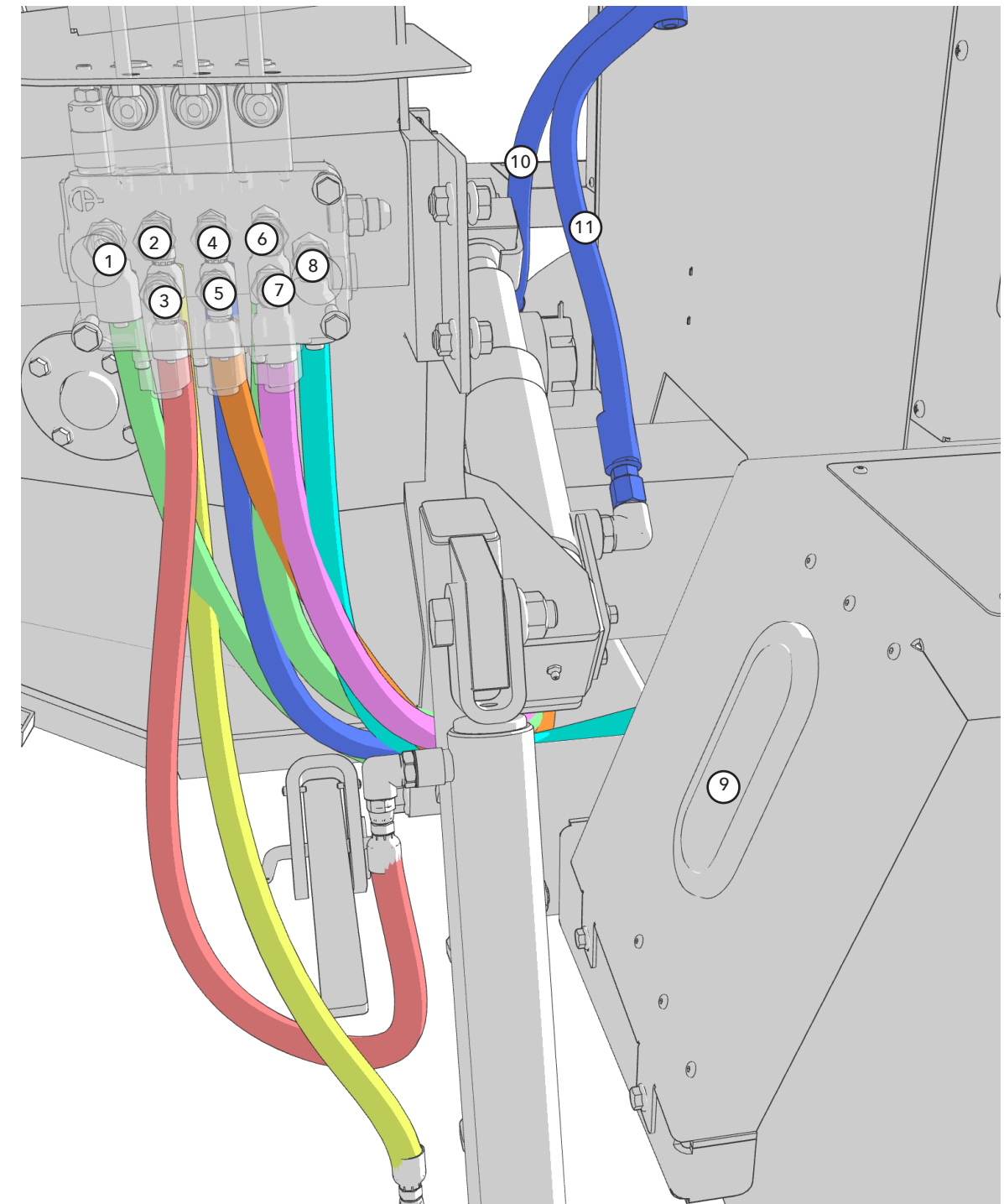
## TUBES/LINES/MISCELLANEOUS

Tubes and Lines			
LINE	PART NUMBER	COLOR	DESCRIPTION
1	83780	N/A	OPTIONAL FRONT OUTRIGGER CONTROL
2	83790A	N/A	FRONT OUTRIGGER ASSEMBLY
3	83127.06	YELLOW	SUCTION LINE
4	83133	GREEN	COOLING TUBE RETURN
5	83831-385	RED	CYLINDER PRESSURE LINE
6	84268.02	N/A	AMBER LIGHT
7	81040	N/A	FENDER
8	-	YELLOW	COOLANT HOSE
9	83869	GREEN	CYCLE BLOCK CYL A AND B HOSE
10	83869	CYAN	CYCLE BLOCK HOSE ABOVE CYL B
11	83855.20	YELLOW	HOSE ASSEMBLY, P1 X CYCLE BLOCK
12	83853.01	RED	HOSE, TANDEM PUMP TO HYDRAULIC TANK
13	83853	CYAN	HOSE, REMIXER VALVE TO HYDRAULIC TANK
14	83857	BLUE	HOSE, P2 X CONTROL BLOCK
15	81040.01	N/A	FENDER TREAD LPLATE



## TUBES AND LINES

Tubes and Lines			
LINE	PART NUMBER	COLOR	DESCRIPTION
1	83853	GREEN	HOSE, VAVOIL X P3
2	83805	YELLOW	HOSE, RIGHT SIDE OUTRIGGER BOTTOM PORT
3	83805	RED	HOSE, RIGHT SIDE OUTRIGGER TOP PORT
4	83808	BLUE	HOSE, LEFT SIDE OUTRIGGER TOP PORT
5	83808	ORANGE	HOSE, LEFT SIDE OUTRIGGER BOTTOM PORT
6	83804	GREEN	HOSE, REMIXER TOP PORT
7	83804	PINK	HOSE, REMIXER BOTTOM PORT
8	83854	CYAN	HOSE, TO HYDRAULIC TANK BOTTOM PORT
9	84271	-	RED FENDER LIGHT
10	83816.DS	BLUE	HOSE ASSEMBLY, SWING TUBE SHIFT SHORT
11	83817.DS	BLUE	HOSE ASSEMBLY, SWING TUBE SHIFT LONG





3026 South Scott Lane | West Haven, UT 84401  
385 389 2630 | [www.wshotcrete.com](http://www.wshotcrete.com)