
Parts List

FOR MODELS:
400 | X400

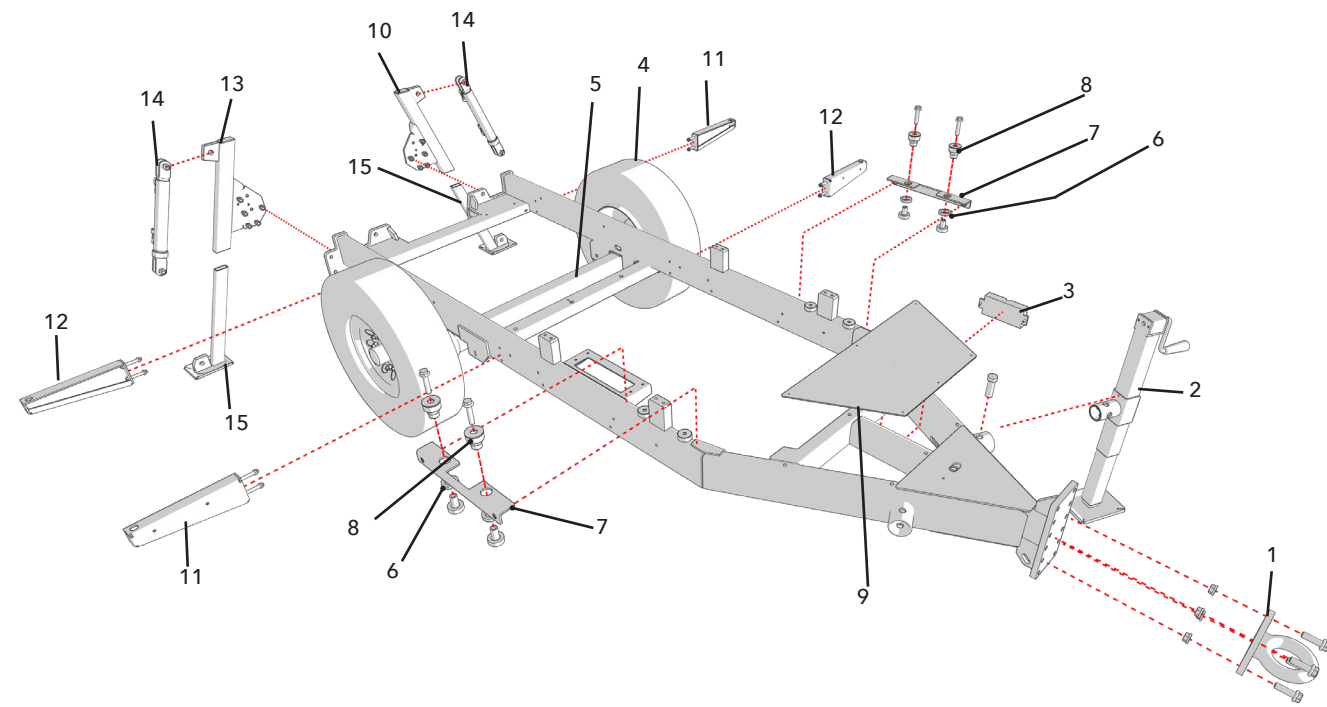


TABLE OF CONTENTS

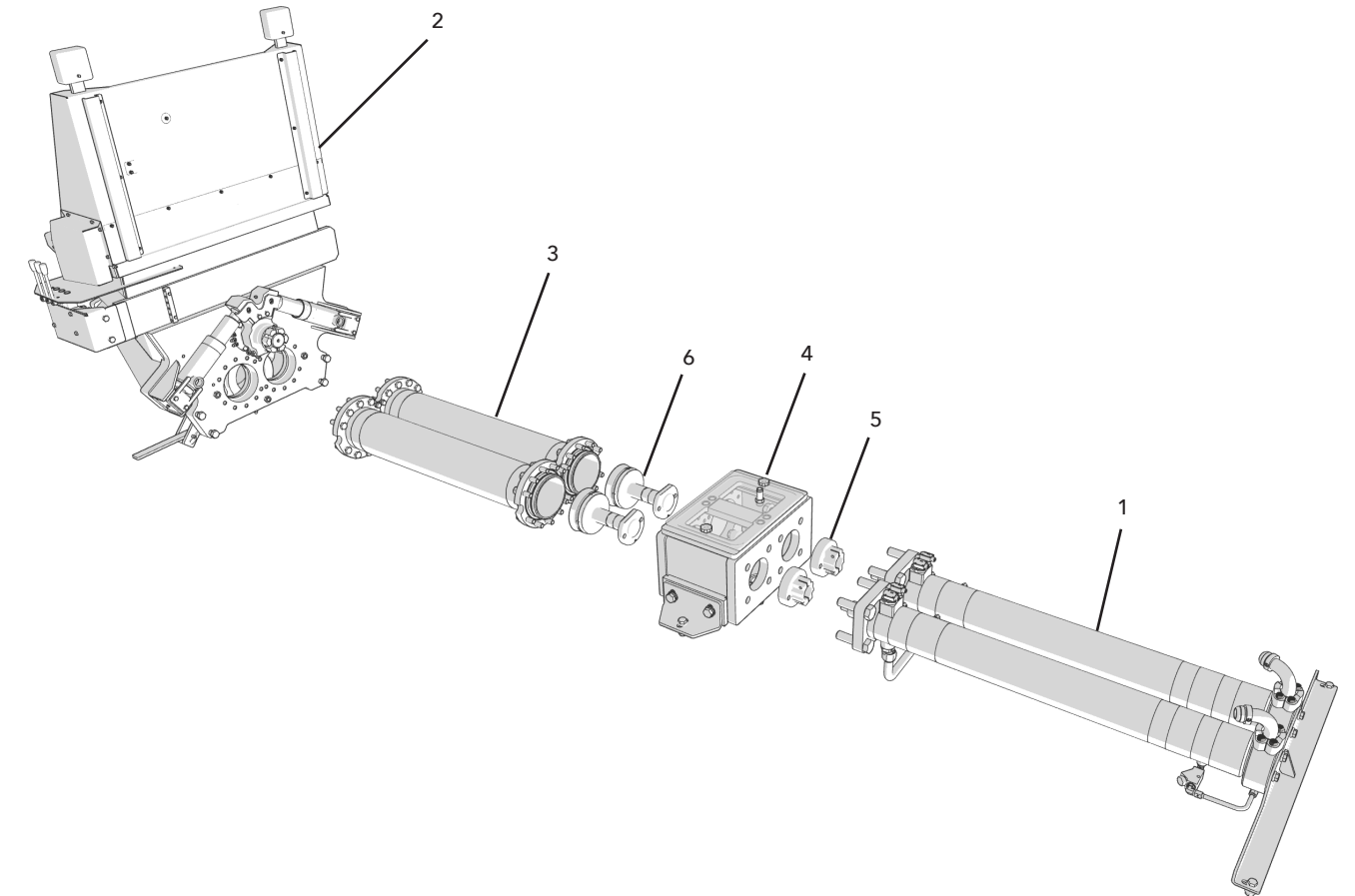
4	FRAME
5	FLATPACK
6	Hopper
12	Remixer
14	Hydraulic Cylinder
16	Material Cylinder
17	Cup Adapter
18	Water Box
19	FUEL TANK
20	ENGINE & RADIATOR
24	HYDRAULIC TANK
26	Cycle Block
27	Control Block
28	BODY
30	CONTROL BOX
32	TUBES/LINES/MISCELLANEOUS

FRAME

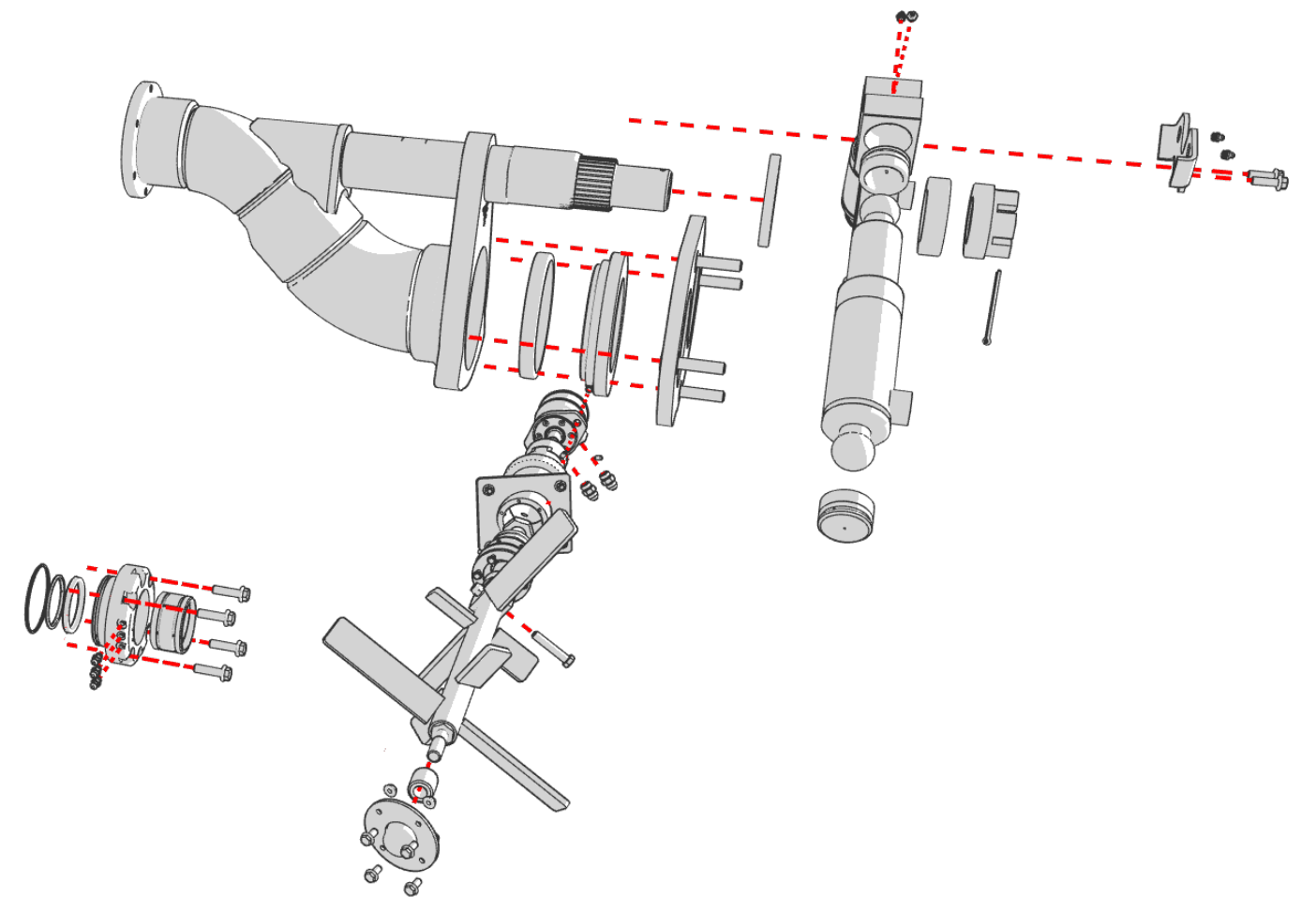
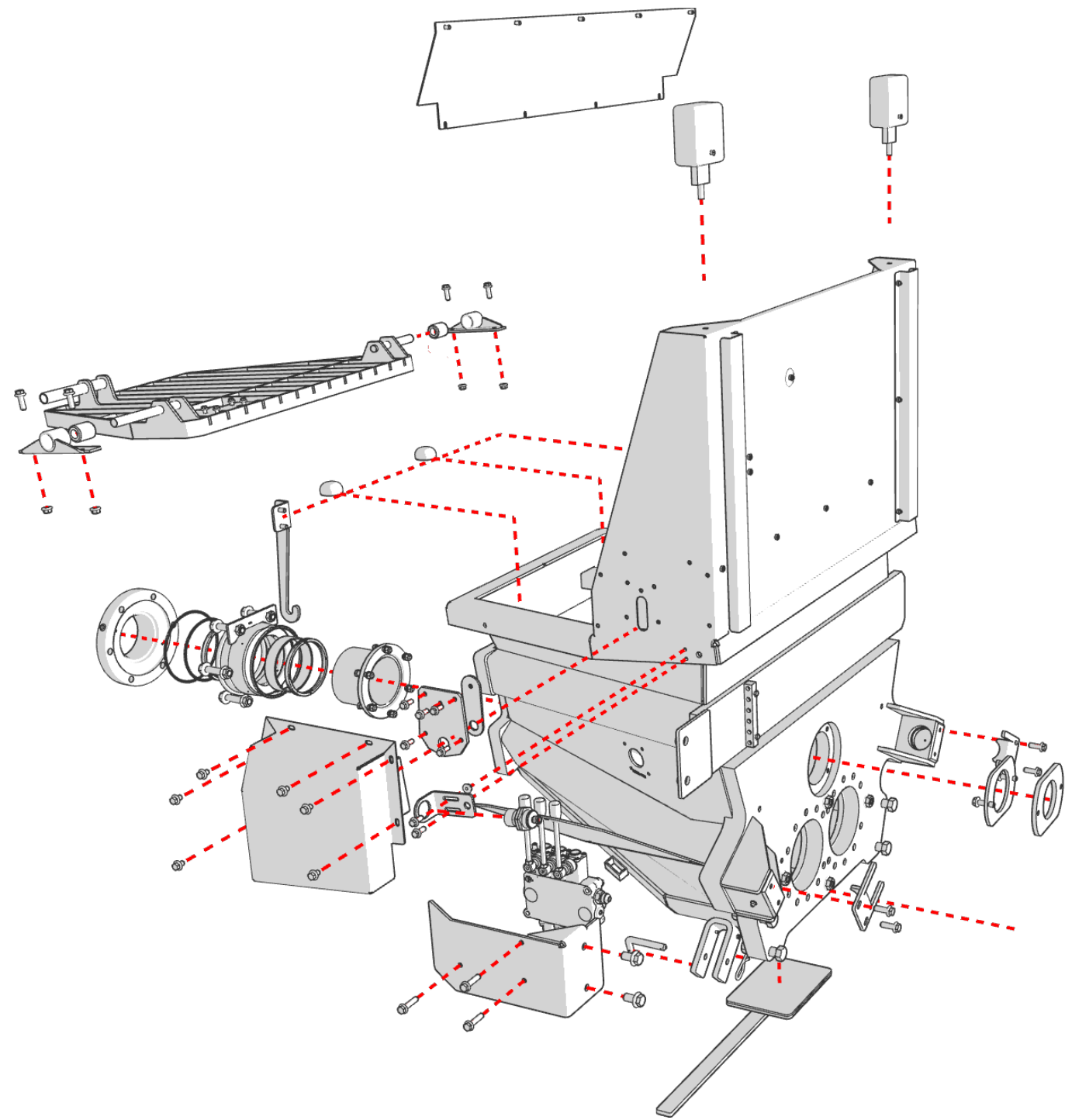
51200A 400/X400 FRAME ASSEMBLY		
LINE	PART NUMBER	DESCRIPTION
1	81307	TOW RING
2	81055	JACK STAND
3	81159	7-WAY ELECTRICAL JUNCTION BOX
4	81114.01	TIRE/WHEEL ASSEMBLY (235/80R16)
5	51101	7K AXLE
6	86510.02	ISOLATOR SPACER
7	86510.14	ISOLATOR MOUNTING BRACKET
8	86510.01V	RUBBER ISOLATOR
9	51209	DIAMOND PLATE TONGUE COVER
10	81015A-L	LH SIDE OUTRIGGER MOUNT ASSEMBLY
11	51016	RUNNING BOARD/FENDER MOUNT
12	51017	RUNNING BOARD/FENDER MOUNT
13	81015A-R	RH SIDE OUTRIGGER MOUNT ASSEMBLY
14	83770	OUTRIGGER ASSEMBLY
15	81046	OUTRIGGER JACK STAND LEG



FLATPACK

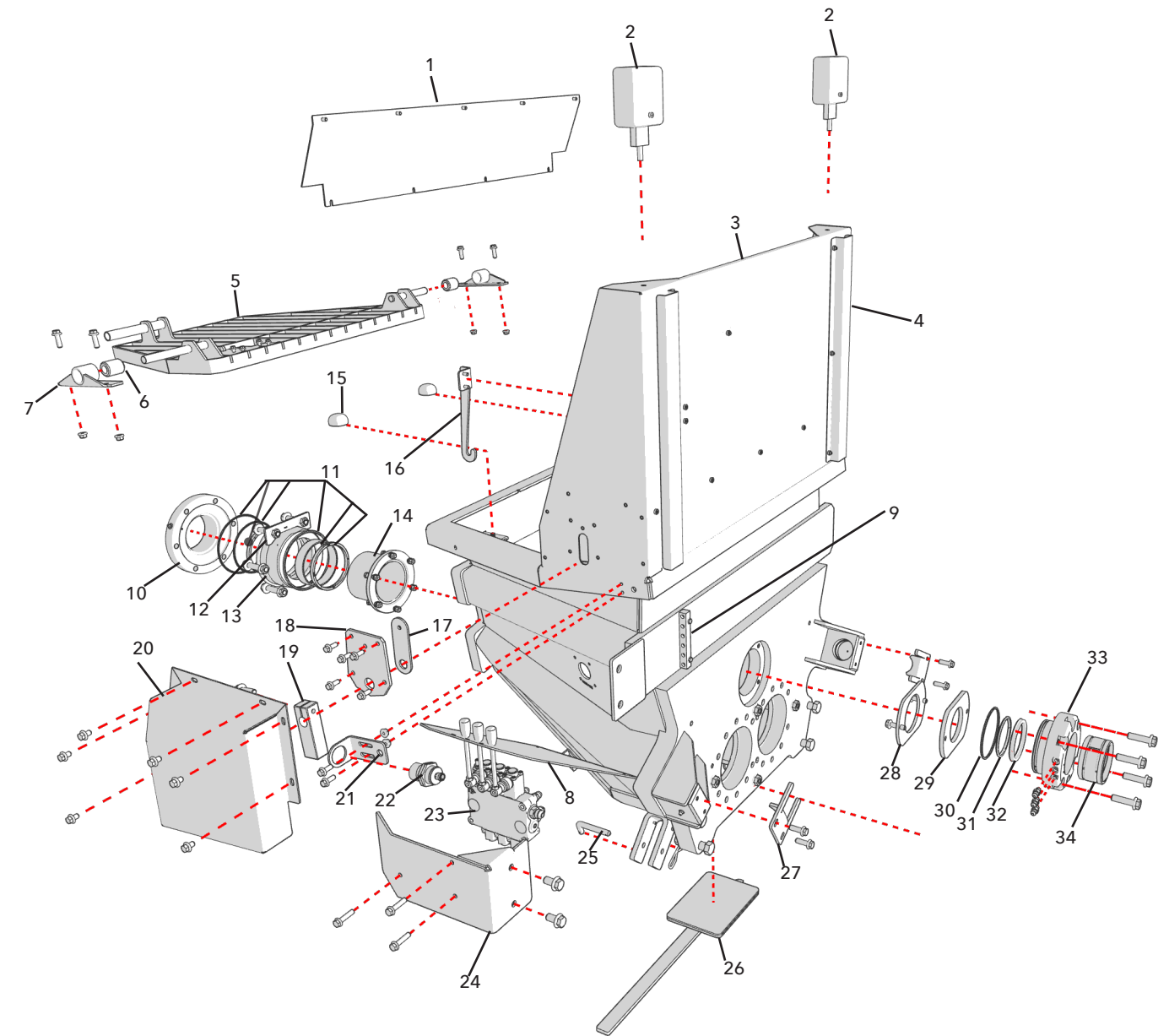


LINE	PART NUMBER	DESCRIPTION
1	83200A 83250A	HYDRAULIC CYLINDER ASSEMBLY (X400 MODEL) HYDRAULIC CYLINDER ASSEMBLY (400 MODEL)
2	85100A-DS	DUAL SHIFT HOPPER ASSEMBLY
3	85400A	MATERIAL CYLINDER ASSEMBLY
4	85600A	WATER BOX ASSEMBLY
5	85720	ROD ADAPTER
6	85773A	CUP ADAPTER ASSEMBLY



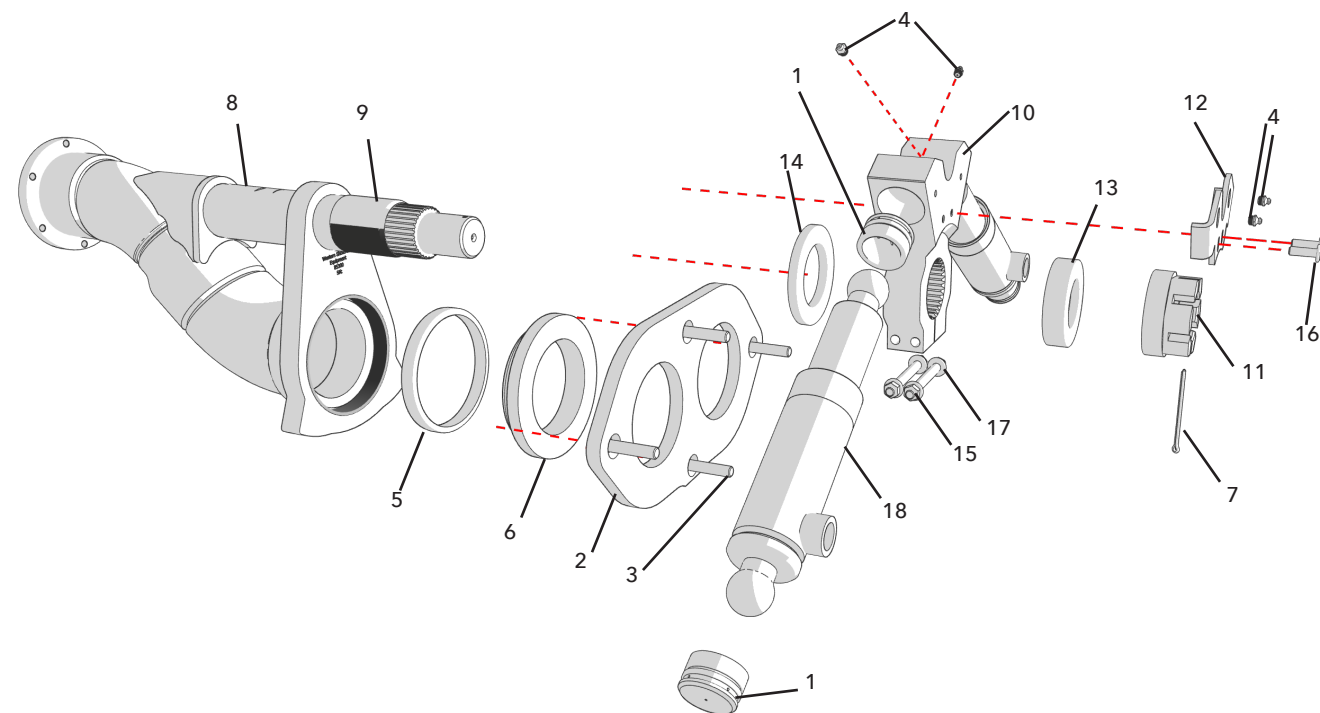
FLATPACK

Dual Shift Hopper Components		
LINE	PART NUMBER	DESCRIPTION
1	85104	SPLASH GUARD CONNECTOR PANEL
2	84172	LED HOPPER LIGHT
3	85105	SPLASH GUARD
4	85105.01	CONDUIT FOR HOPPER LIGHT
5	85125	HOPPER GRATE
6	85233	URETHANE BUSHING
7	85125.14A	HOPPER GRATE ISOLATOR MOUNT
8	85123.01	REMIXER CONTROL VALVE PROTECTIVE COVER
9	83876	GREASE MANIFOLD
10	85150	OUTLET FLANGE
11	85181-PM	OUTLET BEARING HOUSING SEAL KIT
12	85182	OUTLET BEARING RETAINER KEY
13	85180	OUTLET BEARING
14	85320	CHROME OUTLET
15	86200.03	URETHANE BUMPER
16	85127	HOPPER GRATE LATCH ASSEMBLY
17	85125.18	HOPPER SHUTOFF SENSOR SEAL
18	85125.21	SHUTOFF SENSOR SEAL RETAINER
19	85125.22	SHUTOFF SENSOR TRIGGER
20	85125.17	SHUTOFF SENSOR COVER
21	85125.19	SHUTOFF SENSOR MOUNT
22	84283	HOPPER SHUTOFF SENSOR
23	83720-P	REMIXER VALVE CONTROL
24	85123	REMIXER/OUTRIGGER CONTROL BRACKET
25	85147A	PIN/LANYARD FOR CLEAN-OUT DOOR
26	85140	CLEAN-OUT DOOR
27	85512.02.DS	BALL RETAINER PLATE
28	85184	SHAFT SEAL RETAINER PLATE
29	85183	URETHANE SHAFT SEAL
30	025.1248	OUTER SEAL O-RING FOR FLANGE BEARING
31	85166.03	WIPER SEAL
32	85166.05	INNER SEAL, FLANGE BEARING
33	85166.DS	DUAL SHIFT FLANGE BEARING
34	85162.DS	BRONZE FLANGE BEARING INSERT

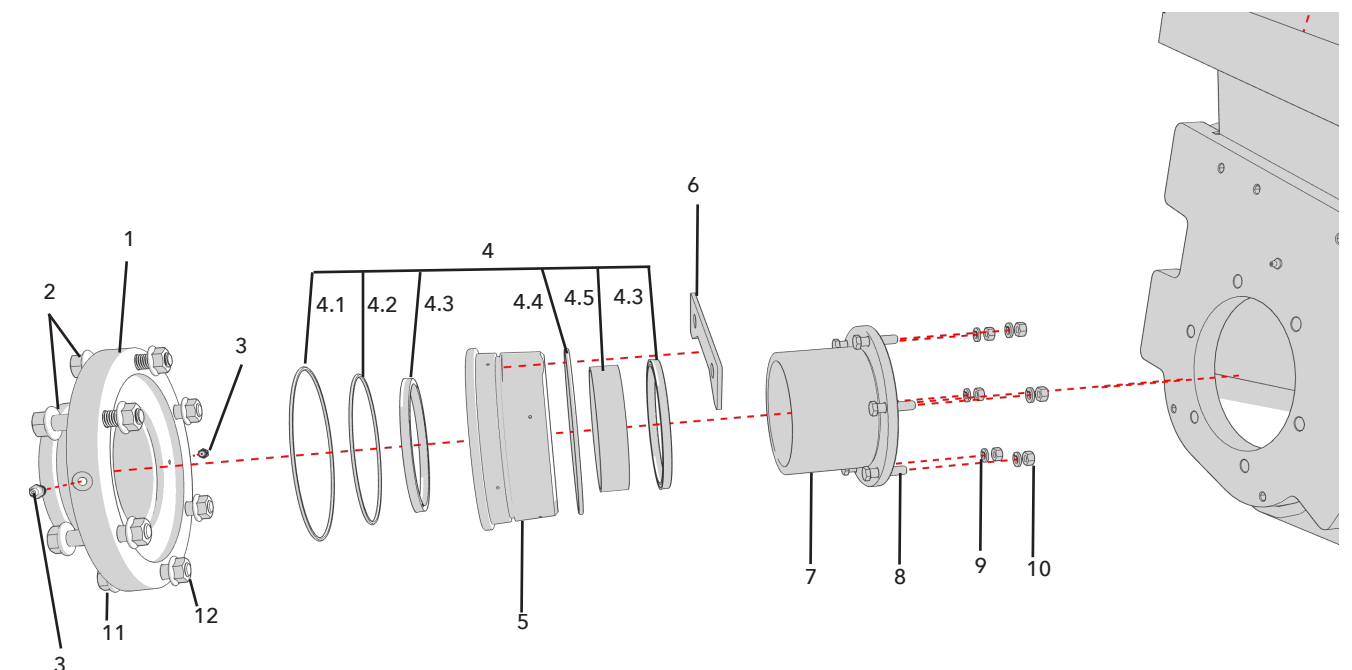


FLATPACK

Dual Shift Swingtube Components		
LINE	PART NUMBER	DESCRIPTION
1	85122.DS	NYLON SHIFT CYLINDER CUP
2	85131 85131-C	WEAR PLATE-HARDENED STEEL WEAR PLATE-CARBIDE
3	85132	5/8"-11 X 3.5" FLAT HEAD SCREW
4	85166.04	3/8"-24 GREASE FITTING
5	85335	WEAR RING SEAL
6	85336	WEAR RING
7	85515	COTTER PIN
8	85300-DS	SWINGTUBE
9	85301.01.DS	CHROME SLEEVE
10	85501.DS	BELL CRANK
11	85511.DS	CASTLE NUT
12	85512.01.DS	BALL REATAINER, BELL CRANK
13	85512.DS	THRUST WASHER CAP
14	85513.DS	THRUST WASHER
15	022.7215	1/2"-13 FLANGE NUT
16	022.3004-20	3/8"-16 X 1.25" FLANGED HEX HEAD SCREW
17	022.3008-80	1/2"-13 X 5" FLANGED HEX HEAD SCREW
18	83900-DS	SHIFT CYLINDER

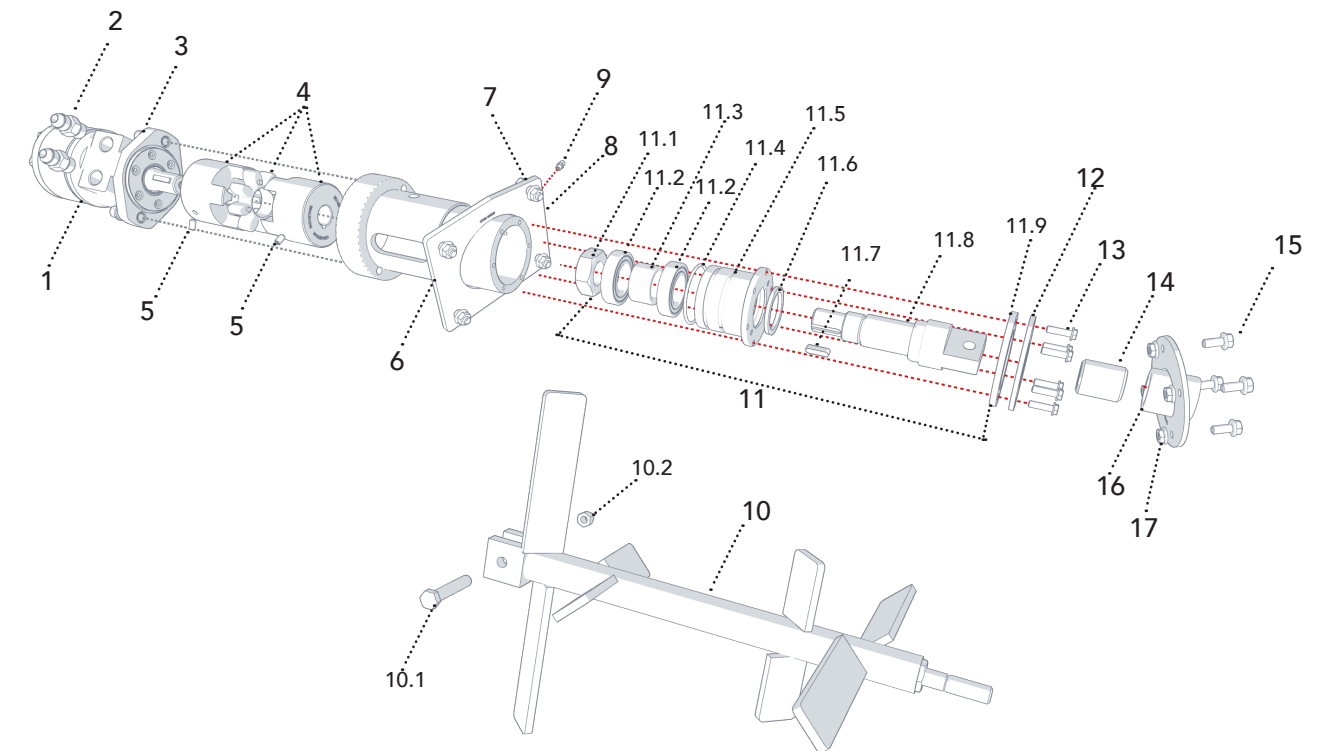


Outlet Components		
LINE	PART NUMBER	DESCRIPTION
1	85150	OUTLET FLANGE
2	022.3010-52	5/8"-11 X 3.25" FLANGED HEX HEAD SCREW
3	85166.04	3/8"-24 GREASE FITTING
4	85181-PM	OUTLET BEARING HOUSING SEAL KIT
4.1	025.1264	-264 O-RING
4.2	025.1260	-260 O-RING
4.3	85174-PM	LOADED LIP SEAL
4.4	025.1366	-366 O-RING
4.5	85180.01	1 1/4" GUIDE BAND
5	85180	OUTLET BEARING HOUSING
6	85182	OUTLET BEARING LOCKING BRACKET
7	85320	CHROME OUTLET
8	022.2004-28	3/8"-16 X 1.75 HEX HEAD SCREW
9	022.8207	3/8" LOCK WASHER
10	022.7011	3/8" HEX NUT
11	022.3010-48	5/8"-11 X 3" FLANGED HEX HEAD SCREW
12	022.7217	5/8"-11 FLANGE NUT



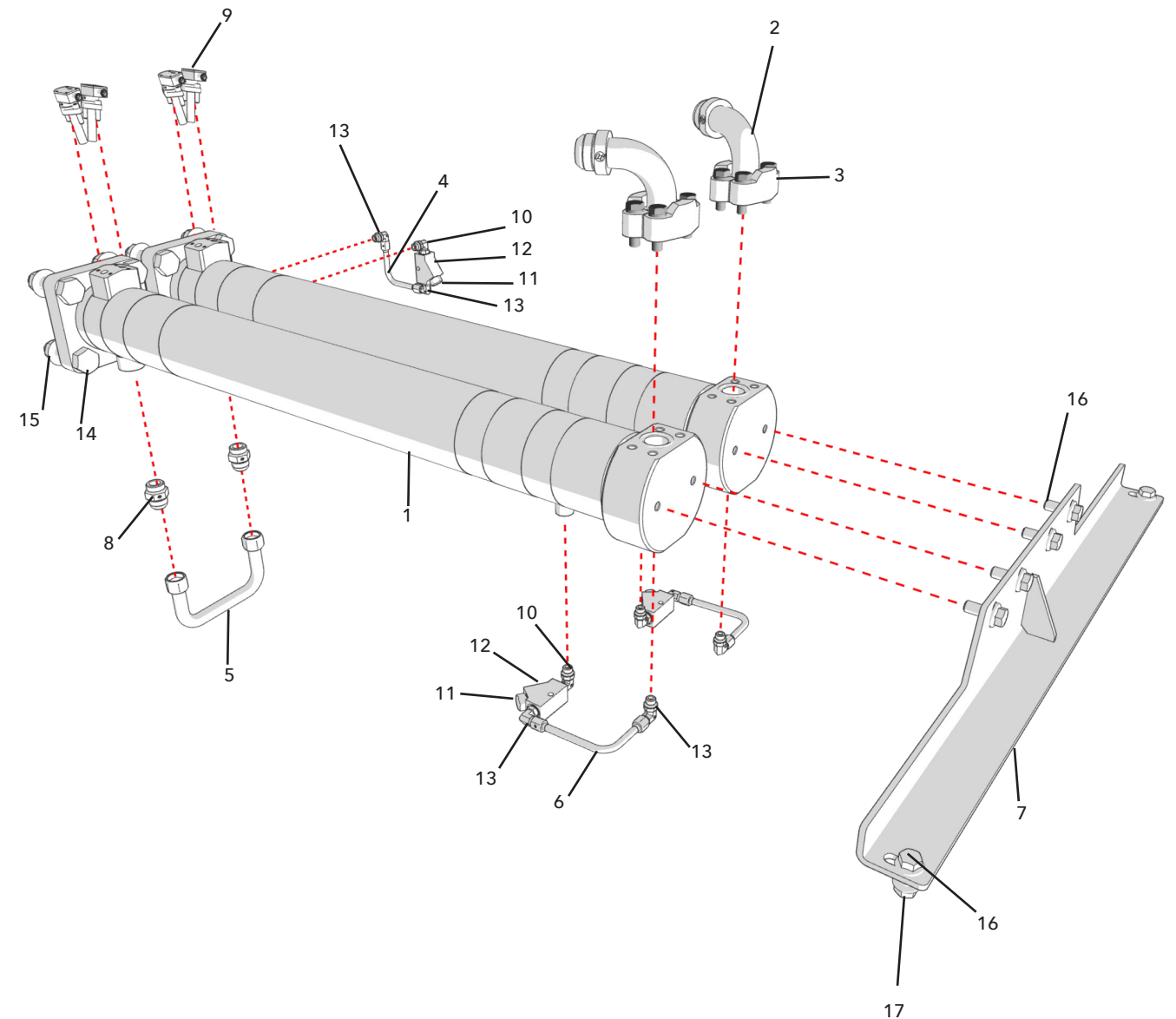
FLATPACK

85200 Remixer Assembly		
LINE	PART NUMBER	DESCRIPTION
1	85250	REMIXER MOTOR
2	83763	FITTING, 8MOR - 8MJ
3	022.3208-24	1/2"-13 X 1.5" SCREW, 12-POINT
4	85203-XH	GUARDIAN COUPLING WITH INSERT
5	022.6007-12	SET SCREW, 1/4"-20 X 3/4"
6	85202F	REMIXER HOUSING WELDMENT
7	022.3004-16	3/8"-16 X 1" FLANGED HEX HEAD CAP SCREW
8	022.7211	3/8"-16 FLANGED HEX NUT
9	026.1002	GREASE ZERK, 1/4"-28 STRAIGHT
10	85230	PADDLESHAFT SUBASSEMBLY
10.1	022.2008-44	1/2"-13 X 2.75" HEX HEAD CAP SCREW
10.2	022.7115	1/2"-13 LOCKNUT
11	85210	CARTRIDGE SUBASSEMBLY
11.1	022.7025-B	1.25"-12 HEX HALF NUT
11.2	85217	BEARING
11.3	85216	SPACER
11.4	025.1145	-145 O-RING
11.5	85211	ALUMINUM CARTRIDGE
11.6	85213	LOADED OUTER LIP SEAL
11.7	85222	1/4" X 1" KEY
11.8	85212	REMIXER SHAFT
11.9	85207	REMIXER OUTER SEAL
12	85208	RETAINER SEAL
13	022.2101-16	1/4"-28 X 1" HEX HEAD CAP SCREW
14	85233	IDLER BEARING
15	022.3002-12	5/16"-18 X 3/4" FLANGED HEX HEAD CAP SCREW
16	022.7209	5/16"-18 FLANGED HEX NUT
17	85112F	IDLER BEARING HOUSING



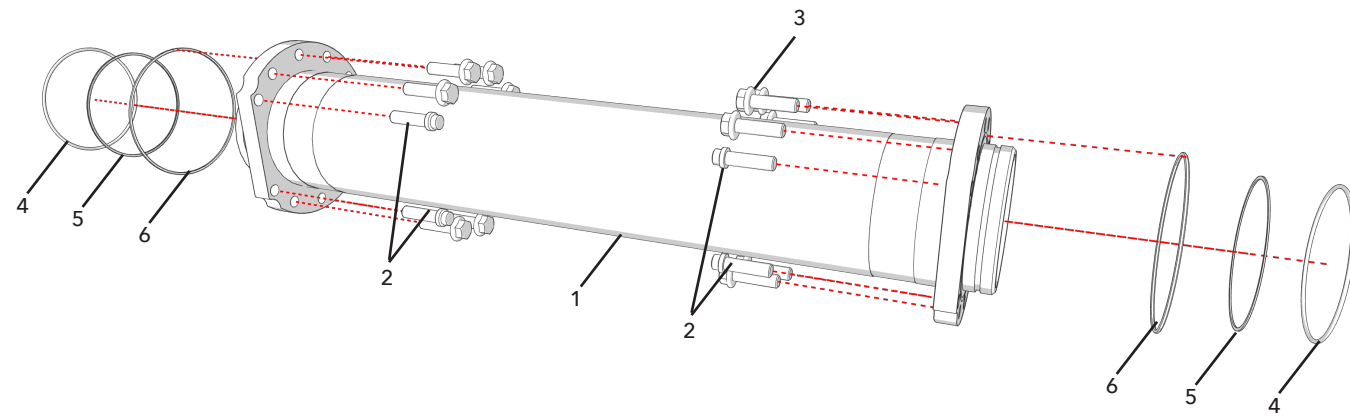
FLATPACK

83200A/83250A		
Hydraulic Cylinder Components		
LINE	PART NUMBER	DESCRIPTION
1	83200 83250	HYDRAULIC CYLINDER (FOR X400 MODEL) HYDRAULIC CYLINDER (FOR 400 MODEL)
2	83831.06	ADAPTER, 1.25" FLANGE
3	83757	1.25" 6K SPLIT-FLANGE KIT
4	83833	REAR HYDRAULIC LINE
5	83822	CYLINDER CROSSOVER LINE
6	83801.03	FRONT HYDRAULIC LINE
7	83200.01F	FRONT CROSSMEMBER (MAY APPEAR DIFFERENT THAN IMAGE SHOWN)
8	83730	FITTING, 16MJ X 16MOR, STRAIGHT
9	84275	PROXIMITY SENSOR
10	83792.02	90° ADAPTER , MOR-06 X MOR-06
11	83791	CHECK VALVE
12	83792	CHECK VALVE BODY
13	83735	90° ADAPTER, 06-MJIC X 06-MOR
14	022.2016-64	1"-14 X 4" HEX HEAD SCREW
15	022.7223	1"-14 FLANGE NUT
16	022.3008-20	1/2-13" X 1.25" FLANGED HEX HEAD SCREW
17	022.7215	1/2"-13 FLANGE NUT



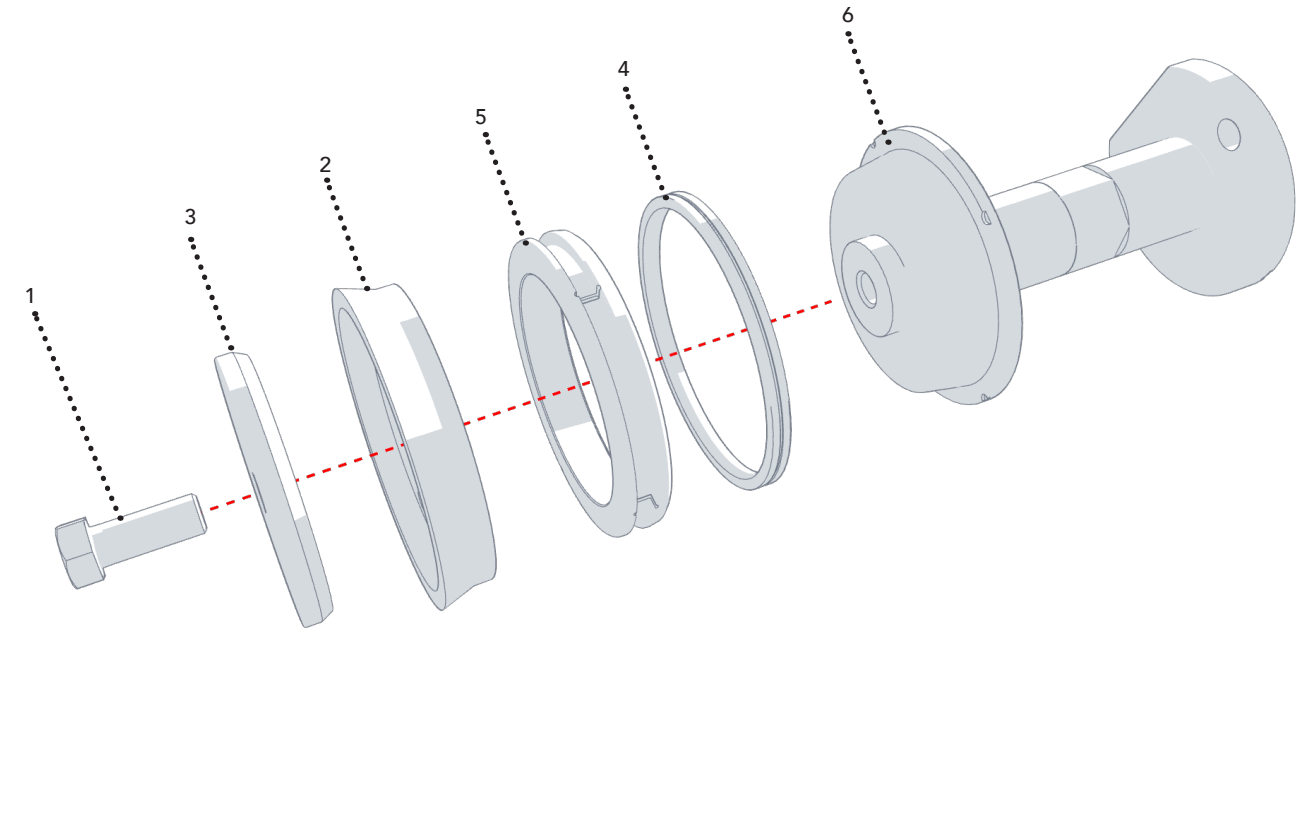
FLATPACK

85400A Material Cylinder Assembly		
LINE	PART NUMBER	DESCRIPTION
1	85401	MATERIAL CYLINDER
2	022.3210-36	5/8"-11 X 2.25" 12-POINT SCREW
3	022.3010-36	5/8"-11 x 2.25" FLANGED HEX HEAD SCREW
4	025.1259	-259 O-RING
5	025.2259	-259 BACKUP O-RING
6	025.2264	-264 O-RING

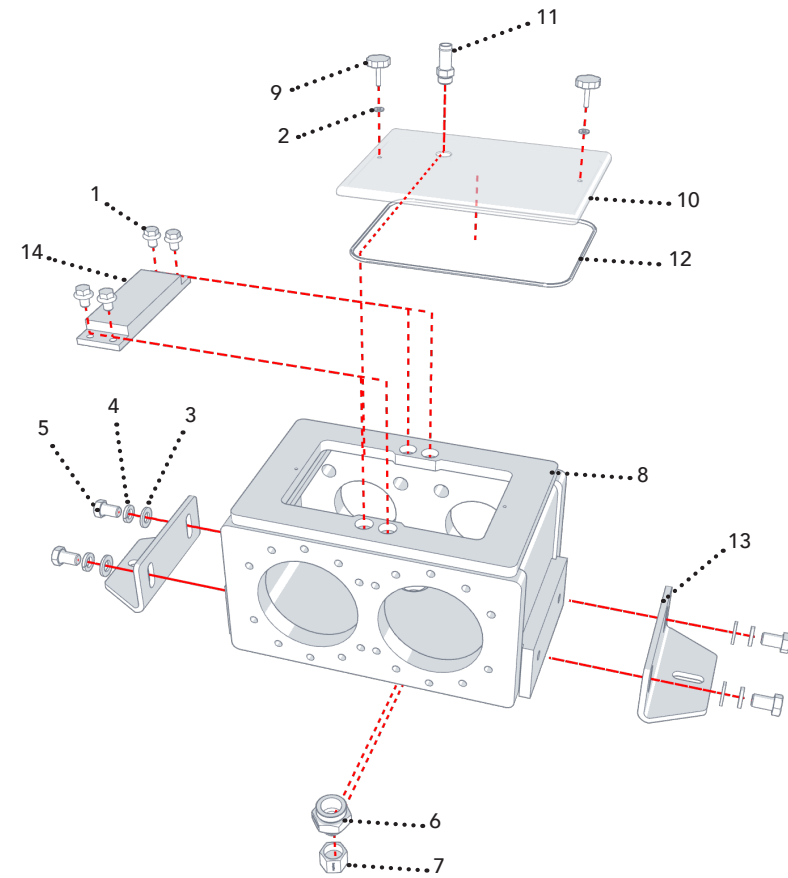


FLATPACK

85773A Cup Adapter Components		
LINE	PART NUMBER	DESCRIPTION
1	022.2012-32	3/4" - 10 UNC X 2" HEX HEAD CAP SCREW
2	85704	PISTON CUP
3	85754	CUP RETAINER WASHER
4	85770	URETHANE SEAL
5	85771	SEAL RETAINER
6	85773	CUP ADAPTER WELDMENT



FLATPACK



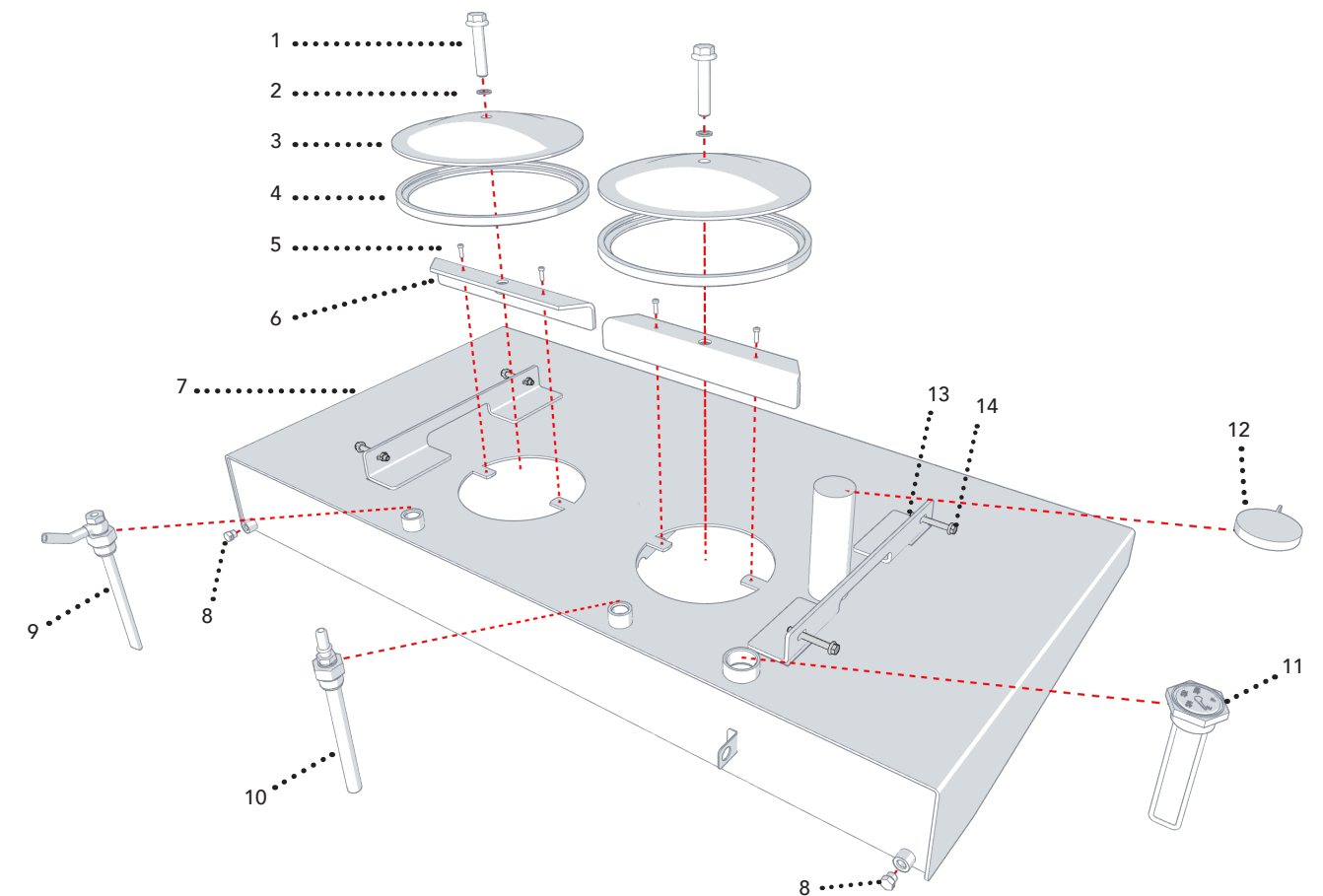
85600A Water Box Parts List

LINE	QTY	PART NUMBER	DESCRIPTION
1	4	022.3008-10	1/2"-13 X .625" FLANGED HEX SCREW
2	2	022.8005	1/4" PLAIN WASHER
3	4	022.8011	3/4" NARROW WASHER
4	4	022.8211	3/4" LOCK WASHER
5	4	022.3012-20	3/4"-10 X 1.25" HEX HEAD SCREW
6	1	83620.04	FITTING, 16 MJ - 24 MOR UNION
7	1	83620.04.1	16MJ PIPE CAP
8	1	85600F	WATER BOX
9	2	85613	THUMB SCREW
10	1	85614	WATER BOX COVER WINDOW
11	1	85614.04	ADAPTER, 12 HOSE-10MOR
12	1	85615	COVER WINDOW SEAL
13	2	85617	WATERBOX ANGLE MOUNTING BRACKET
14	1	85630	SUPPORT CROSSBAR

FUEL TANK

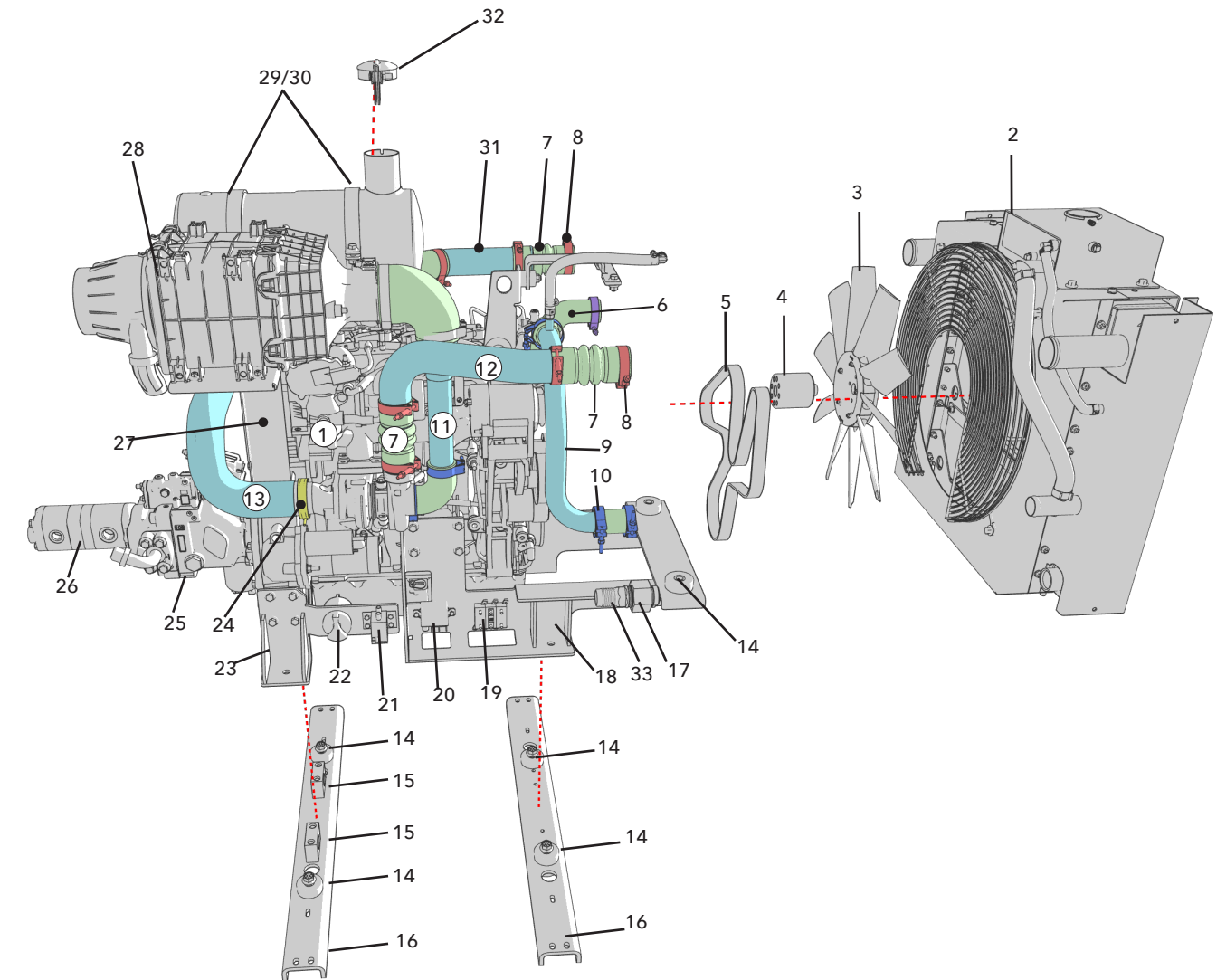
52400A Fuel Tank Components

LINE	PART NUMBER	DESCRIPTION
1	022.3010-48	5/8"-11 X 3" FLANGED HEX HEAD CAP SCREW
2	83604.1	CRUSH WASHER, 5/8" ID
3	83604	12" TANK CLEANOUT COVER KIT WITH CRUSH WASHER AND GASKET
4	83605	GASKET FOR CLEANOUT COVER
5	022.5103-12	10-24 X .75" LENGTH PHILLIPS SCREW
6	83600.1	ANGLE BRACKET FOR ACCESS COVER, INCLUDES WELD NUT AND PEMSERTS
7	52400F	FUEL TANK SHEETMETAL WELDMENT
8	52210	#6 SAE HEX PLUG
9	52206	RETURN LINE ASSEMBLY
10	52207	SUCTION LINE ASSEMBLY
11	52205	FUEL TANK GAUGE
12	82257.02	DIESEL FILLER CAP
13	022.7311	3/8"-16 SERRATED FLANGE HEX NUT
14	022.3004-44	3/8"-16 X 2.75" FLANGED HEX HEAD CAP SCREW



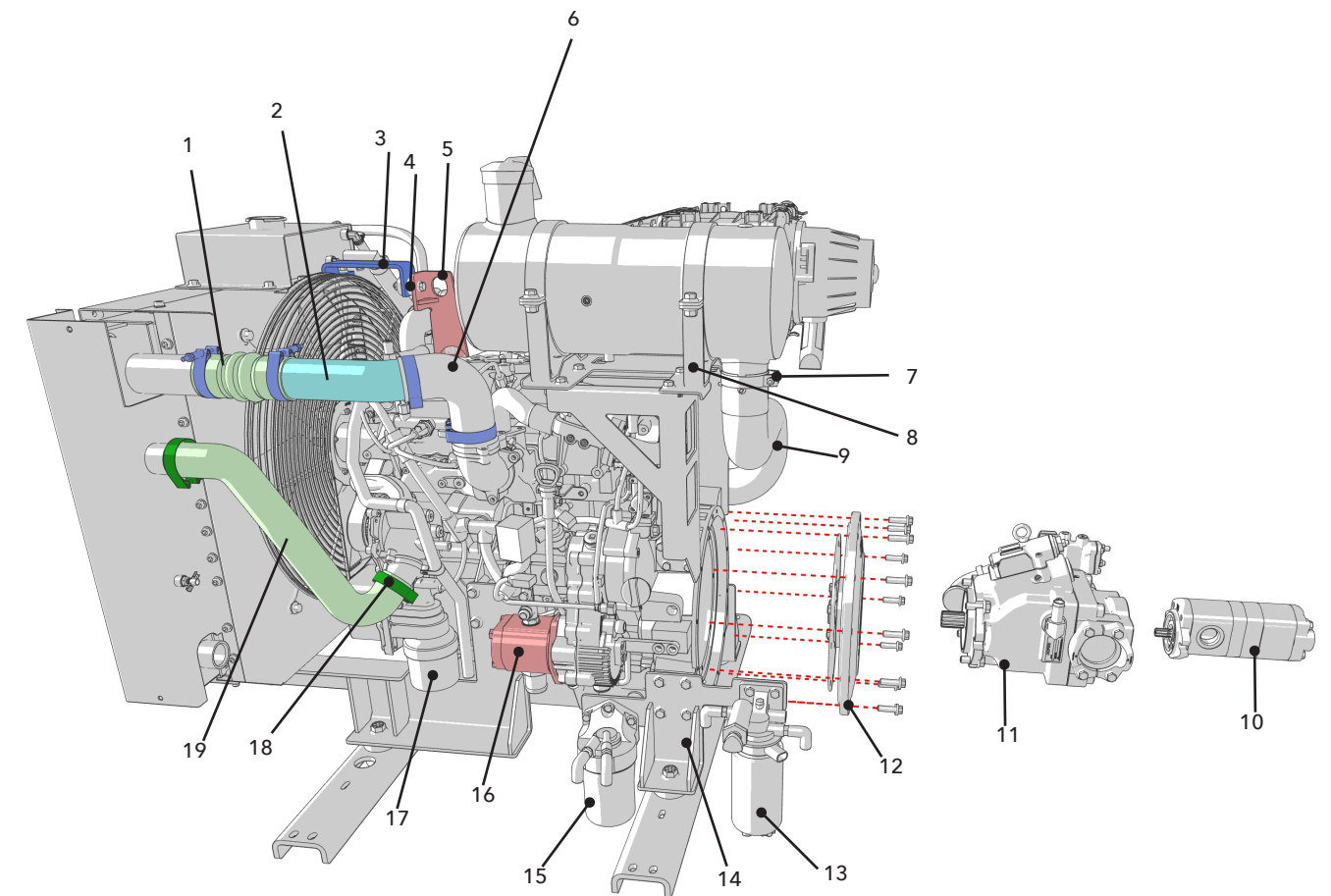
ENGINE AND RADIATOR

52150A			
2.8 Cummins Engine Assembly			
LINE	PART NUMBER	COLOR	DESCRIPTION
1	52150	N/A	2.8 CUMMINS ENGINE KIT
2	52580	N/A	RADIATOR KIT
3	52151	N/A	FAN
4	82082.12	N/A	ALUMINUM FAN SPACER
5	8PK2255	N/A	SERPENTINE BELT
6	52167	GREEN	HOSE, RADIATOR OUT/ENGINE IN
7	50001097	GREEN	SILCONE STRAIGHT CONNECTOR
8	80000435	RED	CLAMP
9	52162	CYAN	PIPE, ENGINE OUT/RADIATOR IN COOLANT
10	80000422	BLUE	CLAMP
11	52157	CYAN	PIPE, AIR CLEANER TO ENGINE
12	52159	CYAN	PIPE, TURBO OUT/CAC IN
13	52158	CYAN	EXHAUST PIPE
14	82080.02.1	N/A	RUBBER ISOLATOR
15	83836.04	N/A	TUBE CLAMP
16	52150.04	N/A	ENGINE CROSSMEMBER
17	82021.04	N/A	ADAPTER, 20MOR X 24FP
18	52152	N/A	RADIATOR SADDLE
19	84167.01	N/A	FUSE BLOCK
20	52163	N/A	GRID HEATER RELAY
21	84165	N/A	STARTER RELAY, 100A
22	84133.10	N/A	MASTER DISCONNECT SWITCH
23	52150.03A	N/A	RH SIDE MOTOR MOUNT
24	3903652	YELLOW	CLAMP
25	53102-KAW	N/A	HYDRAULIC PUMP, 105CC
26	83701-P	N/A	TANDEM GEAR PUMP
27	52153A	N/A	EXHAUST/INTAKE CARRIAGE
28	AK55694	N/A	AIR CLEANER (PRIMARY FILTER- AF55020, SECONDARY FILTER- AF55320)
29	52154.02	N/A	EXHAUST MOUNT UPPER RING
30	52154.01	N/A	EXHAUST MOUNT LOWER RING BASE (NOT SHOWN)
31	52160	CYAN	PIPE, CAC OUT/ENGINE IN
32	11000030	N/A	EXHAUST RAIN CAP
33	82021.05	N/A	ADAPTER, 1.5" MP X 1.5" BARB



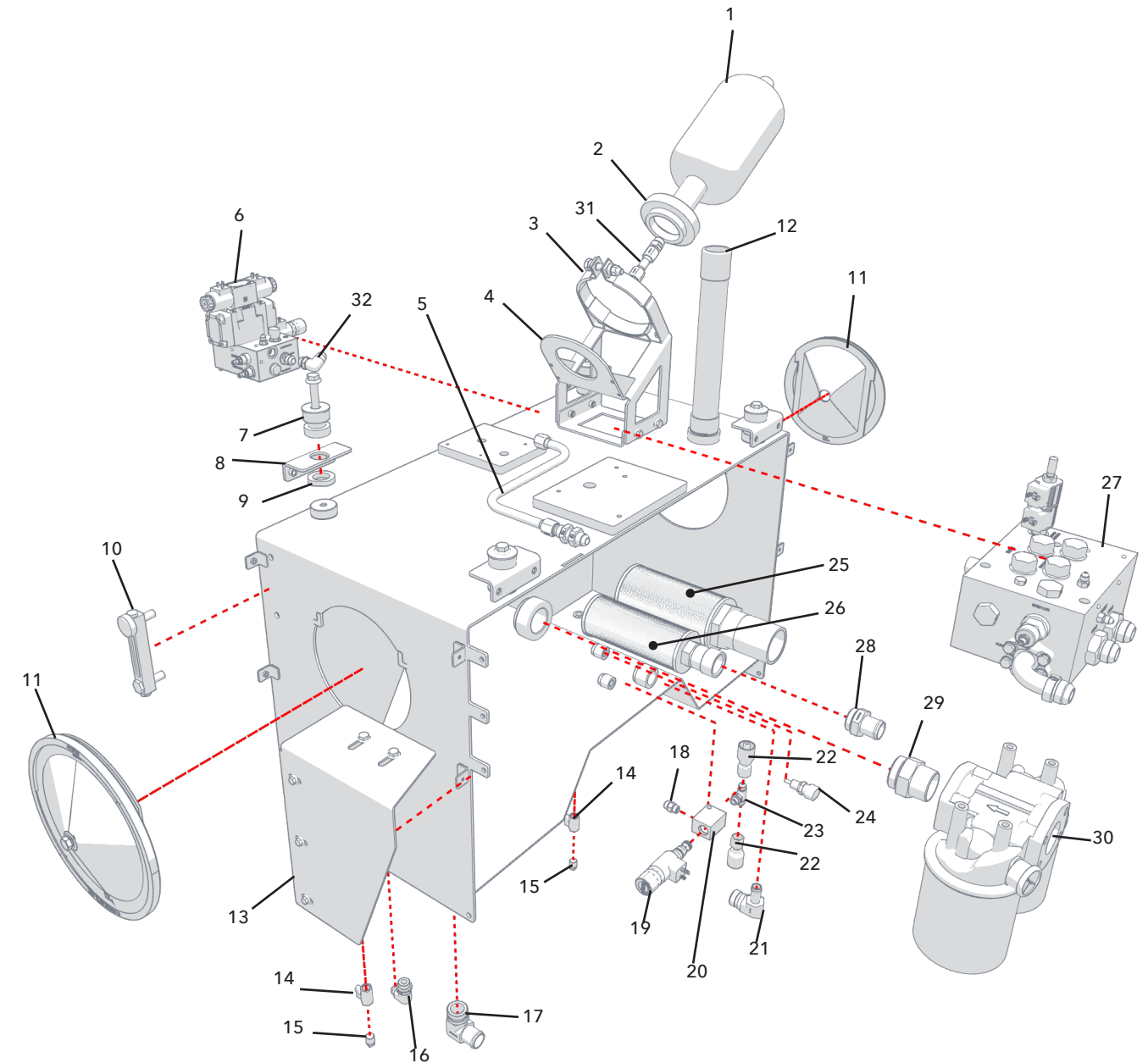
ENGINE AND RADIATOR

52150A			
2.8 Cummins Engine Assembly			
LINE	PART NUMBER	COLOR	DESCRIPTION
1	50001097	GREEN	SILICONE STRAIGHT CONNECTOR
2	52160	CYAN	PIPE, CAC OUT/ENGINE IN
3	52155	BLUE	BRACKET, RADIATOR TO ENGINE BRIDGE
4	82071.10	N/A	RUBBER ISOLATOR
5	52156	RED	BASE, RADIATOR TO ENGINE BRIDGE
6	HTSEC90-250	N/A	RUBBER ELBOW
7	80000214	N/A	EXHAUST CLAMP
8	52154.01	N/A	MUFFLER LOWER RING BASE
9	52158	N/A	EXHAUST PIPE
10	83701-P	N/A	TANDEM GEAR PUMP
11	53102-KAW	N/A	HYDRAULIC PUMP, 105CC
12	52161	N/A	FLYWHEEL/HYDRAULIC PUMP COUPLER
13	82087	N/A	FUEL/WATER SEPARATOR FILTER ELEMENT
14	52150.01A	N/A	LH MOTOR MOUNT
15	52132	N/A	FUEL FILTER
16	53101	RED	OIL COOLER PUMP
17	52150.05	N/A	OIL FILTER
18	80000230	DARK GREEN	HOSE CLAMP
19	52167	GREEN	HOSE, RADIATOR OUT/ENGINE IN

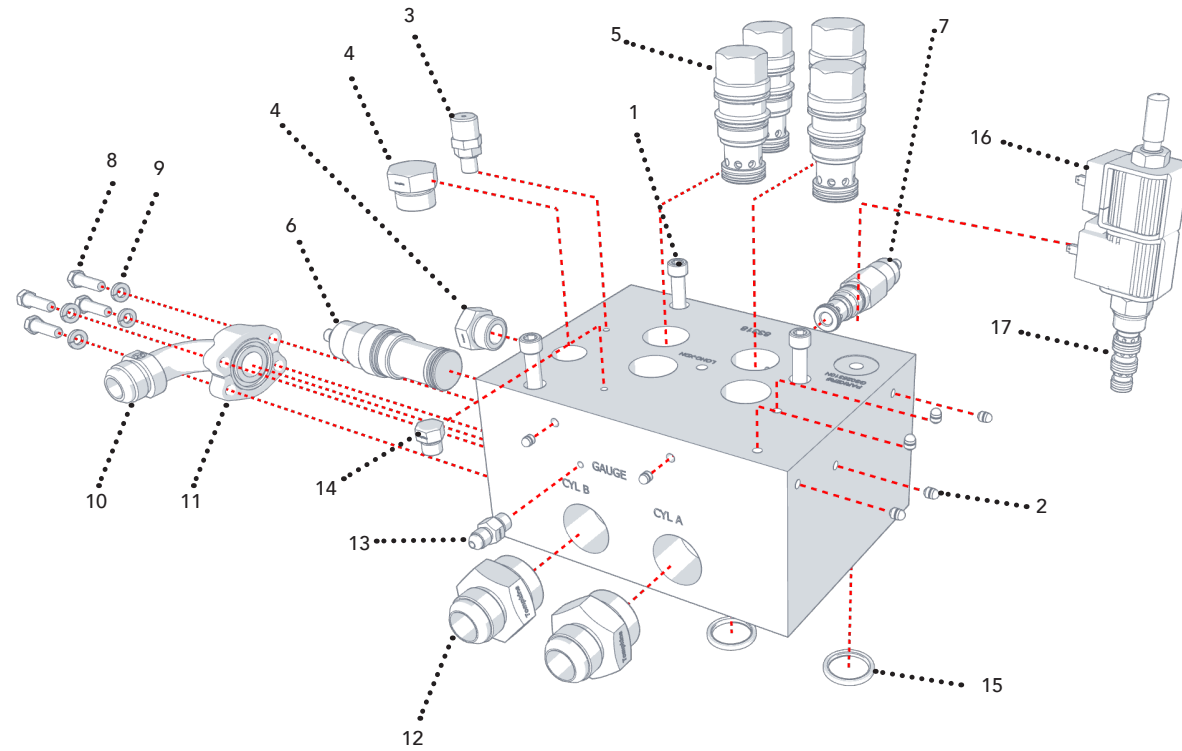


HYDRAULIC TANK

53600A		
Hydraulic Tank Components		
LINE	PART NUMBER	DESCRIPTION
1	83520-H	ACCUMULATOR
2	83615	ACCUMULATOR SADDLE
3	83521	ACCUMULATOR CLAMP
4	53645	ACCUMULATOR MOUNT
5	53805	CONTROL BLOCK TO BULKHEAD LINE
6	83400	CONTROL BLOCK ASSEMBLY
7	86510.01V	RUBBER ISOLATOR
8	56110	ISOLATOR MOUNTING BRACKING
9	86510.02	ISOLATOR SPACER
10	83612	LIQUID LEVEL TEMPERATURE GAUGE
11	53613	CLEANOUT COVER ASSEMBLY WITH GASKET
12	83660F	SCREW-IN FILL NECK
13	83647.03	RETURN FILTER SUPPORT BRACKET
14	83662.02	1/2" MINI BALL VALVE
15	82422	OIL DRAIN PLUG
16	83318.01	90° FITTING, 10JIC - 12 MOR
17	83132	90° FITTING, 24 HOSE - 24 MOR
18	83792.01	STRAIGHT FITTING, 06 MOR - 06 MOR
19	83406-SUN	2-WAY VALVE
20	83407.03	DUMP VALVE BODY
21	83858.02	FITTING, 12 HOSE- 16MOR 90°
22	10643-8-8	CRIMP STYLE HYDRAULIC HOSE FITTING
23	83407.04	TEE, 06 - 06 - 06 (6803-06-06-06)
24	54102	OIL TEMPERATURE SENSOR
25	83704	CONVOLUTED STRAINER
26	83705	SUCTION STRAINER
27	83300S	CYCLE BLOCK ASSEMBLY
28	83132.01	FITTING, 24 HOSE - 24 MOR
29	83647.04	FITTING, 24MP X 24 MOR
30	83647	FILTER HOUSING (INCLUDES 83647.01 FILTER)
31	53806	ACCUMULATOR TO CONTROL BLOCK LINE
32	83725	90° FITTING, 10 MOR - 10 MJ



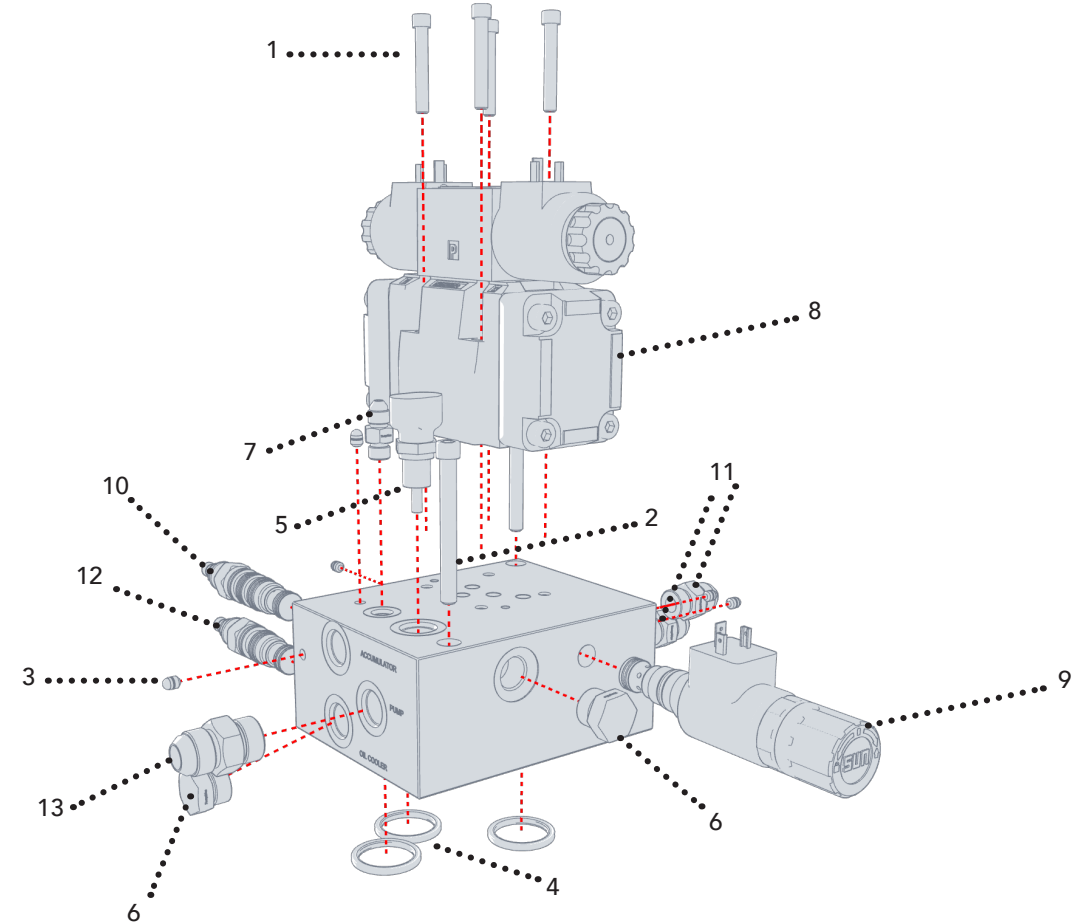
CYCLE BLOCK



833005 Cycle Block Assembly

LINE	PART NUMBER	DESCRIPTION
1	022.1004-72	3/8-16 X 4.5" SOCKET HEAD CAP SCREW
2	023.4101	PNEUMATIC PRESS PLUG
3	83874	TPO-04 TEST POINT TO 04 O-RING FITTING
4	83318.02	12-MOR HEX PLUG
5	83304	SUN LOGIC CARTRIDGE LOGC-XDN
6	83311	SUN FLOW CONTROL NFED-LHN
7	83316.P	SUN PROPORTIONAL RELIEF VALVE
8	022.2004-20	3/8" -16 X 1.25" HEX HEAD CAP SCREW
9	022.8207	3/8" LOCK WASHER
10	83752	90° FLANGE, 16 SIZE
11	83318.06	1" 3K SPLIT FLANGE KIT
12	83318.14	20MOR X 16MJ FITTING
13	83107	JIC-04 X MOR-04 FITTING
14	83318.12	SAE-4 HEX PLUG
15	025.1219-1B	-219 BUNA 90 X-PROFILE O-RING
16	83413.1	PARKER 5K COIL
17	83413	DIRECTIONAL VALVE CARTRIDGE

CONTROL BLOCK

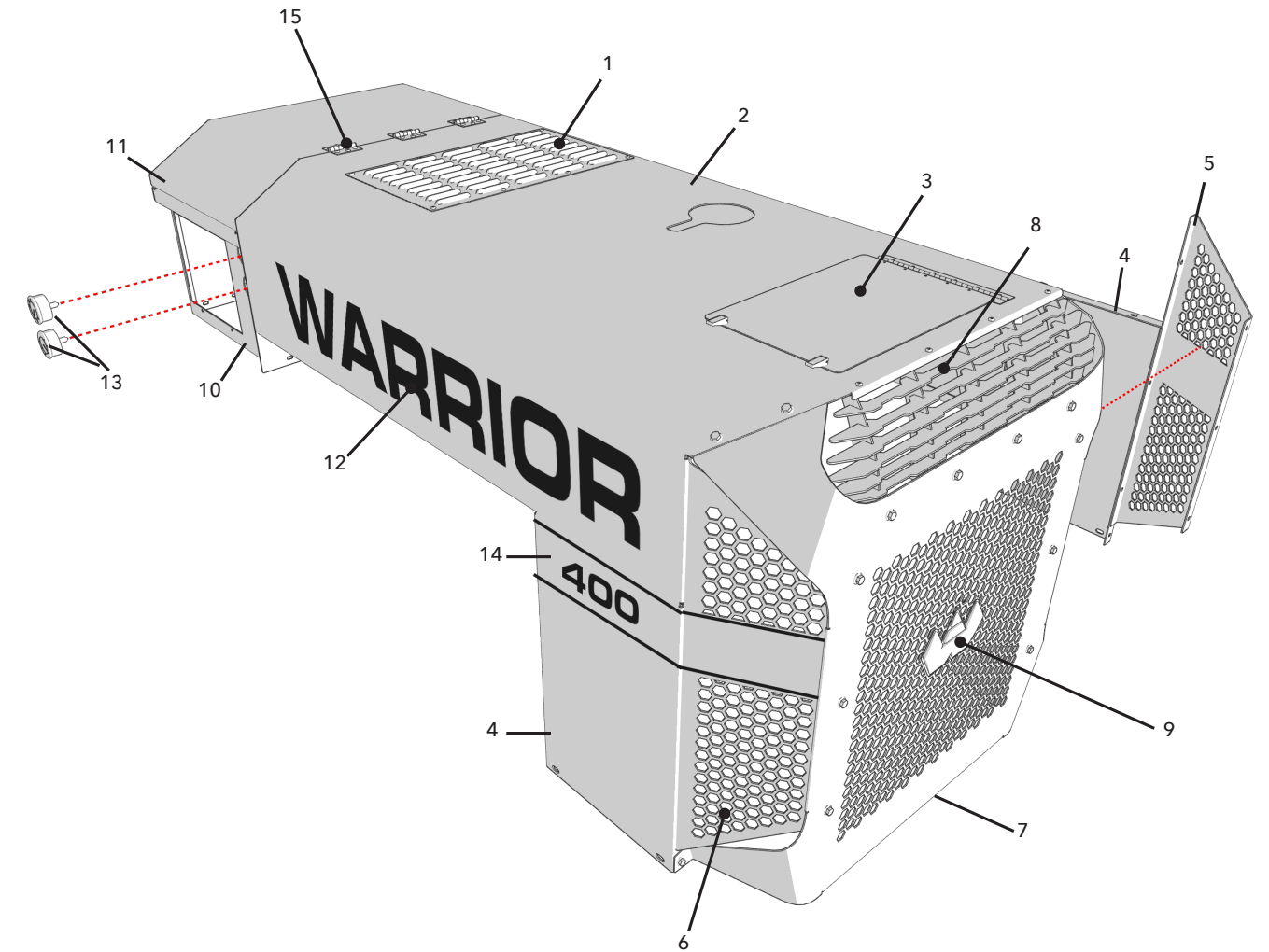


83400 Control Block

LINE	PART NUMBER	QTY	DESCRIPTION
1	022.1001-28	4	1/4"-20 X 1.75" SOCKET HEAD CAP SCREW
2	022.1002-48	2	5/15" - 18 X 3" SOCK HEAD CAP SCREW
3	023.4101	5	.250" PNEUMATIC PLUG
4	025.1219-1B	3	-219 BUNA 90 X-PROFILE O-RING
5	84261.1	1	OVERTEMPERATURE SENSOR
6	82263	2	FITTING 8MOR HEX HEAD PLUG
7	83107	1	FITTING 04MJ X 04MOR
8	83402	1	REXROTH DIRECTIONAL VALVE W/PILOT
9	83406-SUN	4	DUMP VALVE
10	83410	1	SUN CARTRIDGE VALVE, QCDB-LAN
11	83412.02	2	8MOR-8MJ FITTING
12	83414	1	SUN CARTRIDGE VALVE RVCA-LAN
13	83726	2	FITTING, 10MJ X 8MOR

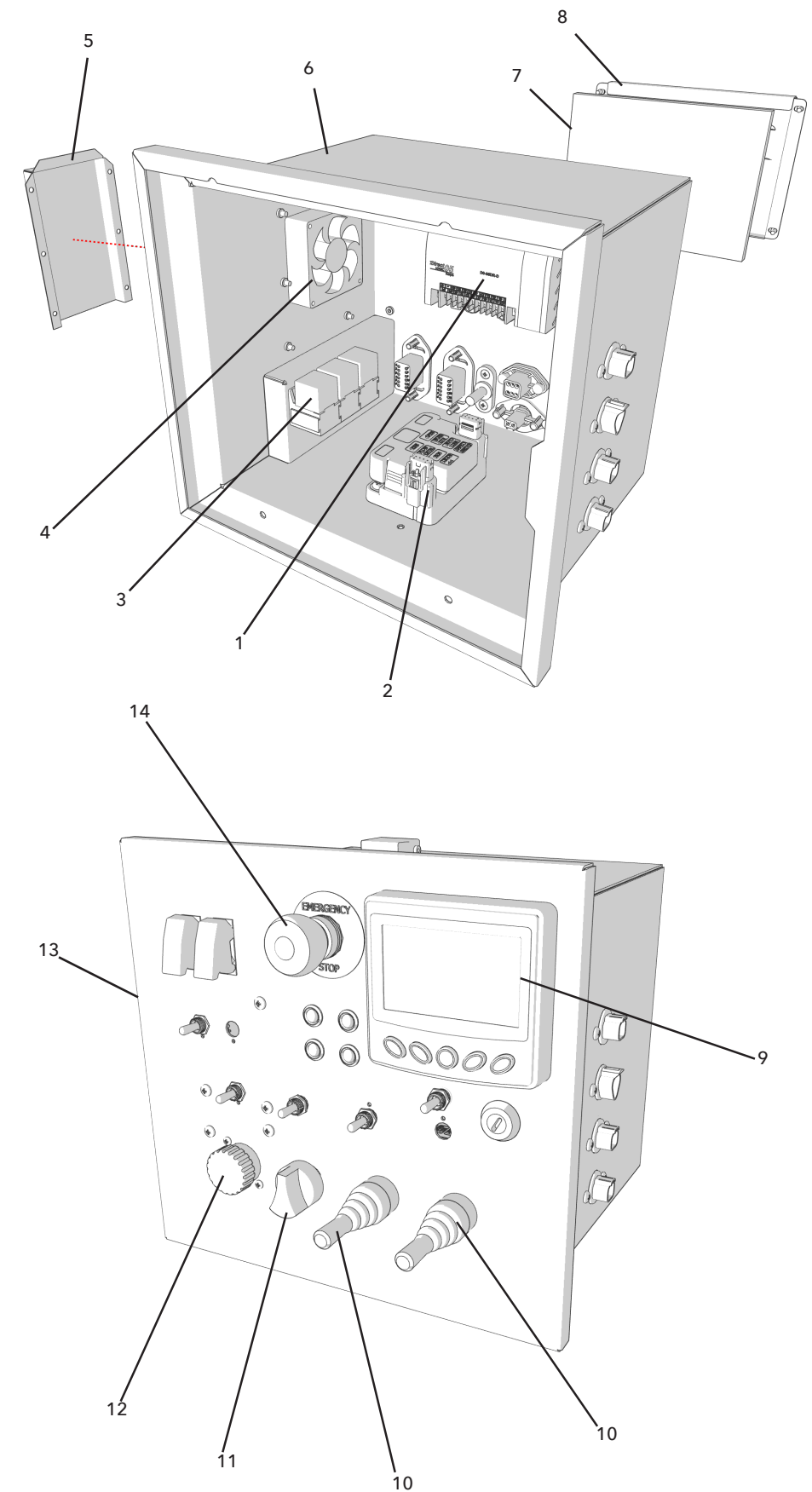
BODY

56200A 400/X400 Sheetmetal		
LINE	PART NUMBER	DESCRIPTION
1	56101.01	ENGINE COVER TOP LOUVER
2	56201	ENGINE COVER
3	86710	TOP RADIATOR ACCESS DOOR
4	56211	LEFT/RIGHT SIDE PANEL
5	56212-L	FRONT LH VENT SHROUD
6	56212-R	FRONT RH VENT SHROUD
7	56113	FRONT BODY PANEL
8	56114	GRILLE
9	87063	W EMBLEM DECAL
10	56117	HYDRAULIC TANK COVER
11	56115	42" HYDRAULIC TANK COVER LID
12	57123	WARRIOR DECAL
13	83706.6K	6,000 PSI HYDRAULIC GAUGE
14	57124	400 STRIPE DECAL
15	56101.04	LID HINGE



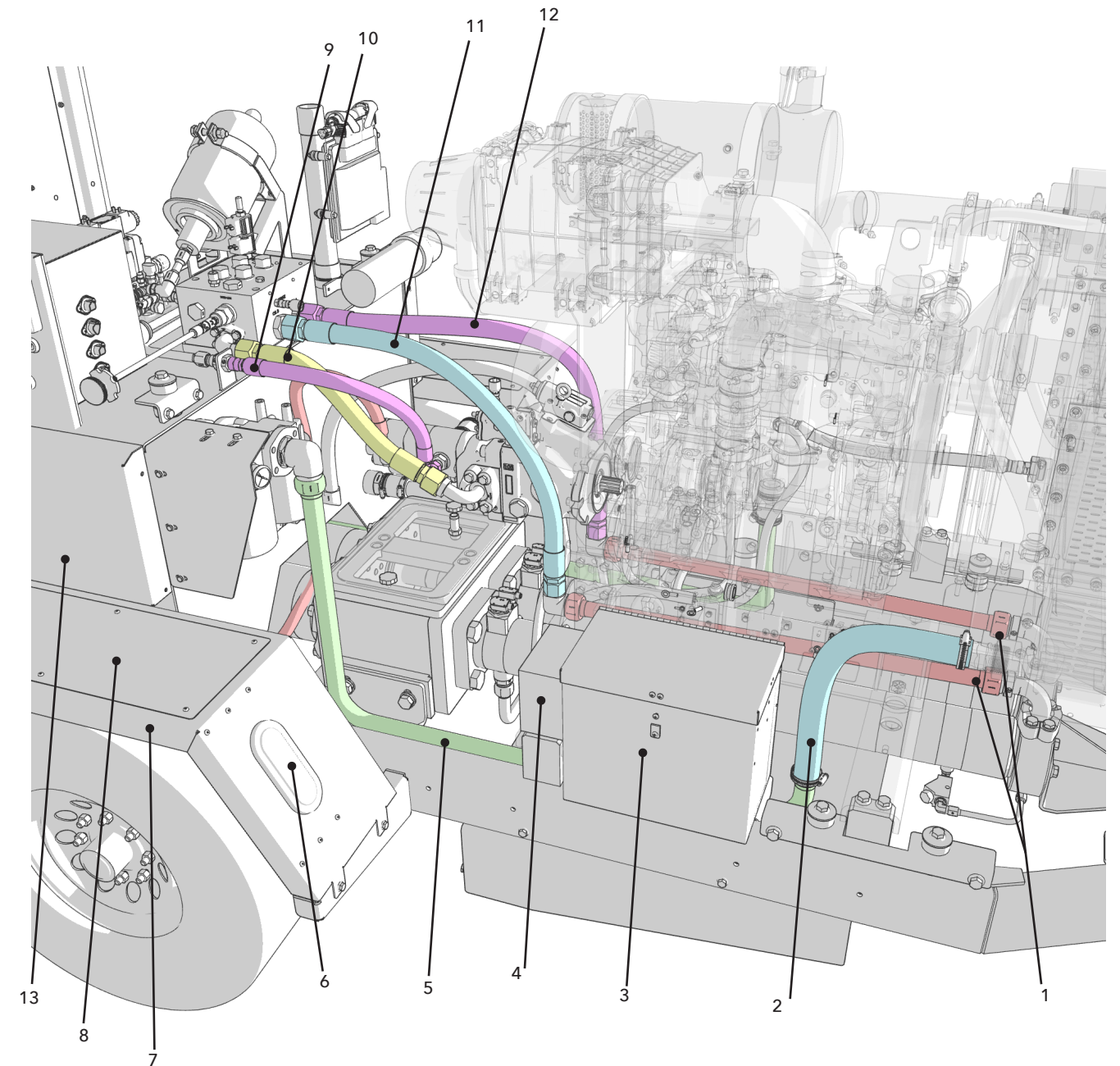
CONTROL BOX

86400 PLC Enclosure		
LINE	PART NUMBER	DESCRIPTION
1	84201.MK2	DL-05 PLC CONTROLLER
2	84239	FUSE HOLDER
3	84149	RELAY
4	84207	PLC FAN
5	84216	FAN COVER
6	84279-S5	PLC ENCLOSURE BODY
7	86307.2	AIR FILTER
8	86312.T4F	AIR FILTER COVER
9	84240-380	POWerview 380 TACHOMETER
10	84157	THROTTLE TOGGLE SWITCH, MAINTAINED
11	84142	IGNITION SWITCH
12	84240.36	DIAGNOSTIC PLUGIN PORT
13	84279.02-S5	CONTROL PANEL, MKII PLC BOX
14	84150	EMERGENCY SHUT OFF SWITCH



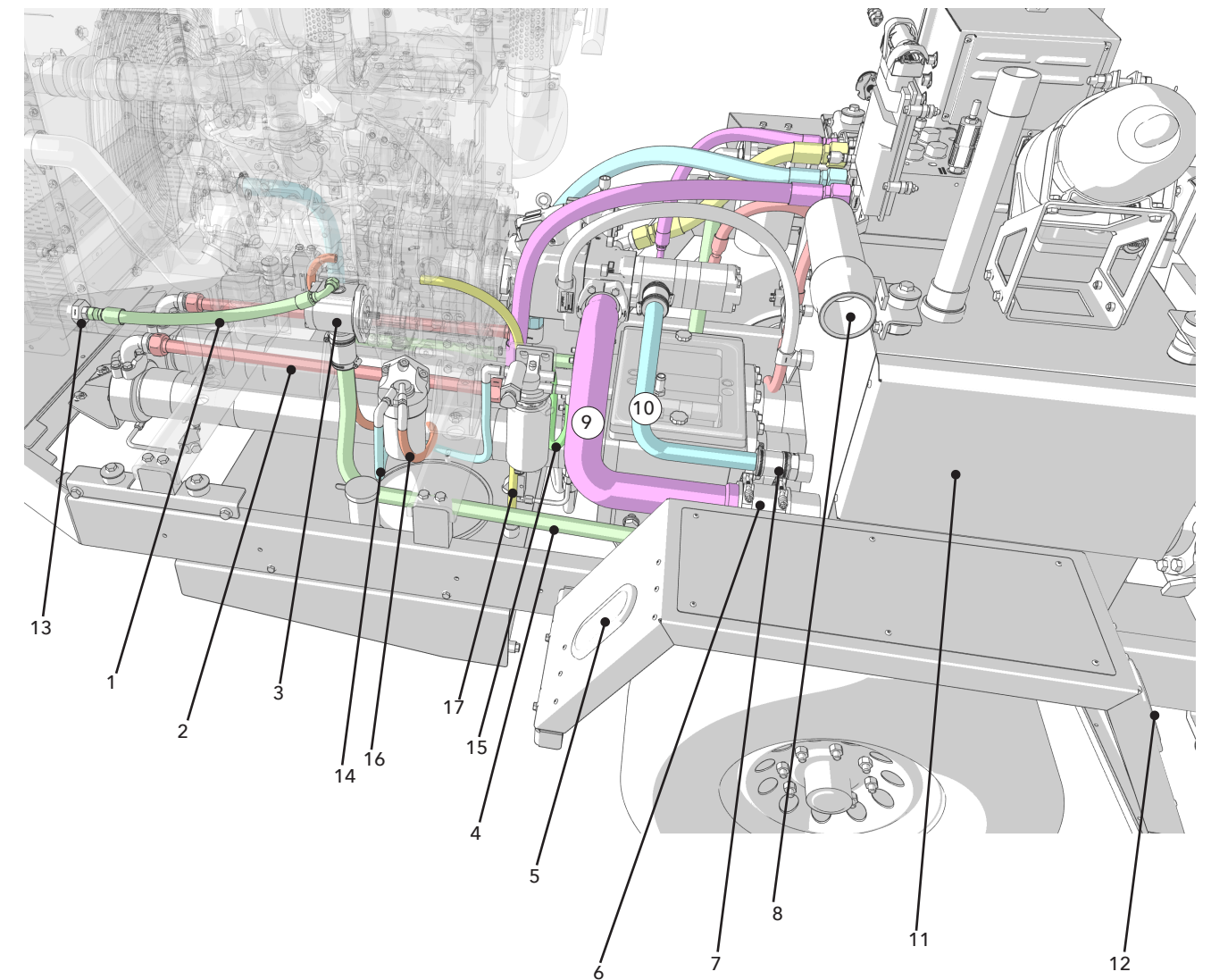
TUBES/LINES/MISC

Tubes/Lines/Miscellaneous			
LINE	PART NUMBER	COLOR	DESCRIPTION
1	83831-385	RED	CYLINDER PRESSURE LINE
2	-	CYAN	HOSE, HYDRAULIC COOLING RETURN TUBE
3	81048A	N/A	BATTERY BOX
4	81301.01	N/A	BREAKAWAY SYSTEM BATTERY BOX
5	53851	GREEN	LINE, HYDRAULIC COOLING RETURN TUBE
6	84268.02	N/A	AMBER LIGHT
7	51040	N/A	FENDER
8	51040.01	N/A	FENDER DIAMOND PLATE
9	53903	PINK	P2/3 CONTROL BLOCK HOSE
10	53902	YELLOW	P1 CYCLE BLOCK HOSE
11	83869	CYAN	CYCLE BLOCK CYL B HOSE
12	83869	PINK	CYCLE BLOCK CYL A HOSE
13	86724	N/A	HYDRAULIC TANK COVER



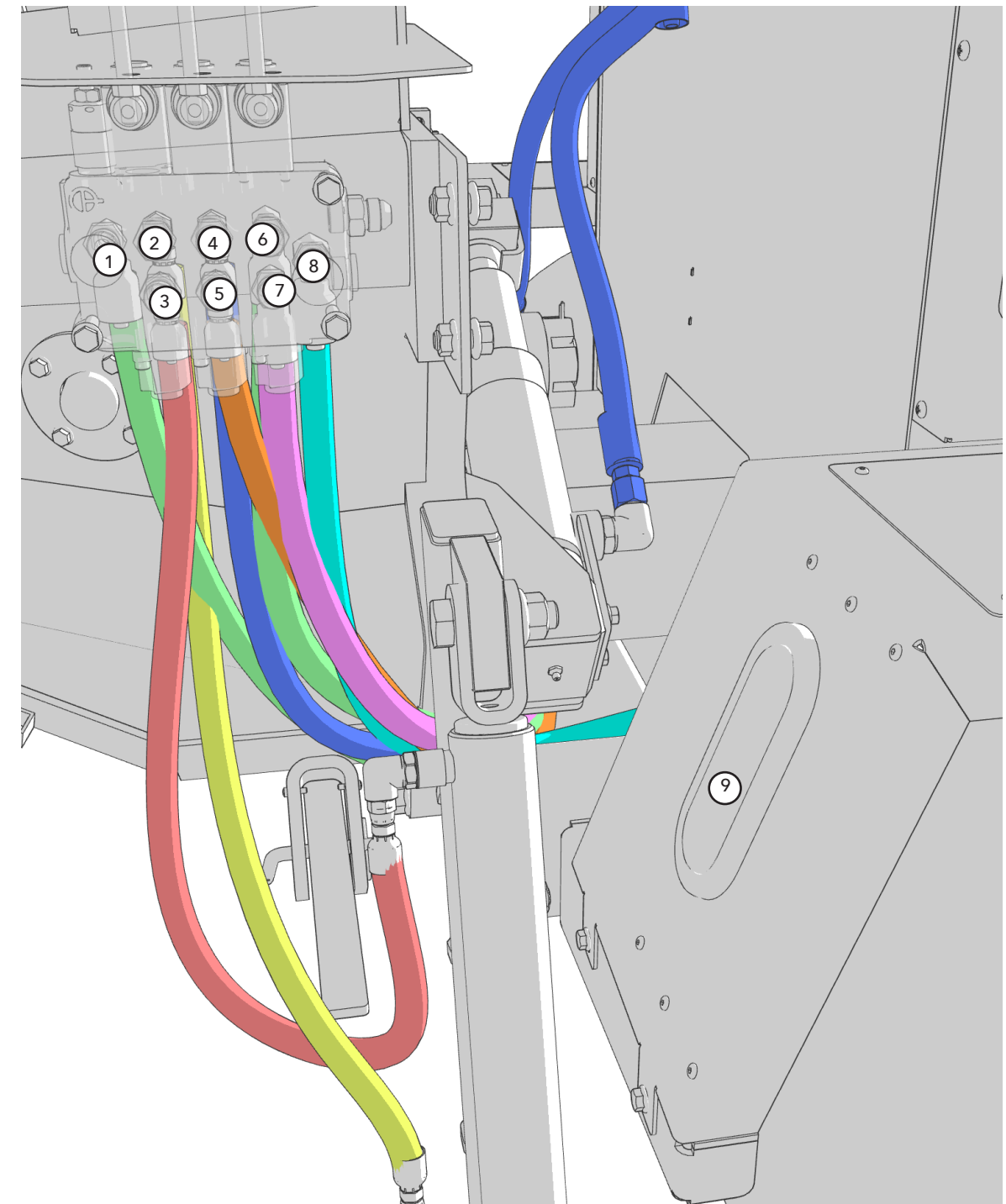
TUBES/LINES/MISC

Tubes/Lines/Miscellaneous			
LINE	PART NUMBER	COLOR	DESCRIPTION
1	53101.01	GREEN	OIL COOLER PUMP TO RADIATOR HOSE
2	83831-38S	RED	CYLINDER PRESSURE LINE
3	53101	N/A	OIL COOLER PUMP
4	53852	GREEN	OIL COOLER/HYDRAULIC TANK SUPPLY LINE
5	84268.02	N/A	AMBER LIGHT
6	83114	N/A	HOSE, INTAKE TUBE TO HYDRAULIC TANK
7	53804.01	N/A	SUCTION TUBE CONNECTING HOSE
8	81001.2	N/A	DOCUMENT HOLDER
9	53854	PINK	INTAKE TUBE
10	53853	CYAN	TANDEM PUMP SUCTION TUBE
11	86723	N/A	HYDRAULIC TANK COVER, LH SIDE
12	84271	N/A	RED LIGHT
13	83513	N/A	ADAPTER, 20MOR X 10FOR
14	82020.46	CYAN	FUEL FILTER IN x WATER SEPARATOR OUT HOSE
15	82020.43	GREEN	WATER SEPARATOR IN x FUEL TANK OUT HOSE
16	52170.01	ORANGE	FUEL FILTER OUT x FUEL INJECTION PUMP IN HOSE
17	52170.02	YELLOW	FUEL INJECTION PUMP OUT x FUEL TANK RETURN HOSE



TUBES/LINES/MISC

Tubes and Lines			
LINE	PART NUMBER	COLOR	DESCRIPTION
1	83853	GREEN	HOSE, VAVOIL X P3
2	83805	YELLOW	HOSE, RIGHT SIDE OUTRIGGER BOTTOM PORT
3	83805	RED	HOSE, RIGHT SIDE OUTRIGGER TOP PORT
4	83808	BLUE	HOSE, LEFT SIDE OUTRIGGER TOP PORT
5	83808	ORANGE	HOSE, LEFT SIDE OUTRIGGER BOTTOM PORT
6	83804	GREEN	HOSE, REMIXER TOP PORT
7	83804	PINK	HOSE, REMIXER BOTTOM PORT
8	83854	CYAN	HOSE, TO HYDRAULIC TANK BOTTOM PORT
9	84271	-	RED FENDER LIGHT





3026 South Scott Lane | West Haven, UT 84401
385 389 2630 | www.wshotcrete.com